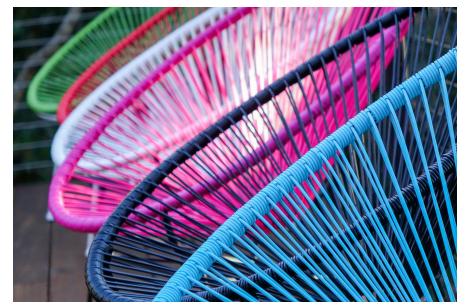


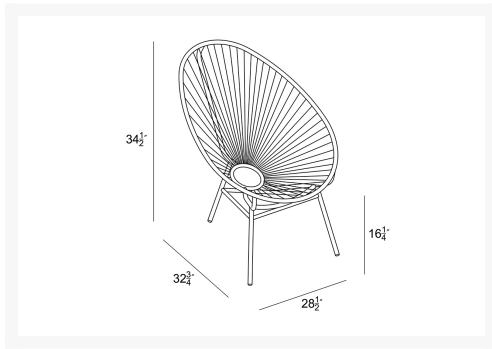


HARMONIA
LIVING

Acapulco Lounge Chair - Glacier Blue/Black HL-ACA-LC-GBB

Product Images





Description

The Acapulco Collection by Harmonia Living blends mid-century design with modern funk to create a new standard of comfort and style for your patio. The collection is inspired by woven furniture that was incredibly popular in Central America in the 1950s and '60s, creating seating that is supportive and breathable. This makes the Acapulco Lounge Chair ideal for unwinding even in the warmest climates. The chair is designed to center your weight between its triangular legs, providing a Staple and comfortable resting position that seems to defy the outrageous geometry of the collection. Beyond its comfortable design, the lounge chair is constructed with a powder-coated steel frame, making it incredibly durable and weather-resistant. The frame is wrapped in a supportive Polyethylene cord, giving the collection its distinctive look.

Includes

- 1x Acapulco Lounge Chair - Glacier Blue HL-ACA-LC-GBB

Dimensions

- Acapulco Lounge Chair : 28.5L x 32.75W x 34.5H (17 lbs.)
 - Frame Height: 34.5
 - Seat Height (No Cushion): 16.25
 - Back Height: 18.25

Features

- Hammock-like design provides breathable seating, perfect for any climate.
- Strapping is hand-woven from recyclable Polyethylene (PE), which is water resistant, flexible and durable.
- Powder-coated steel frame offers incredible durability, stability and protection from corrosion.
- Round, oversized frame makes for very comfortable seating.
- UV inhibitors prevent cracking or fading.