

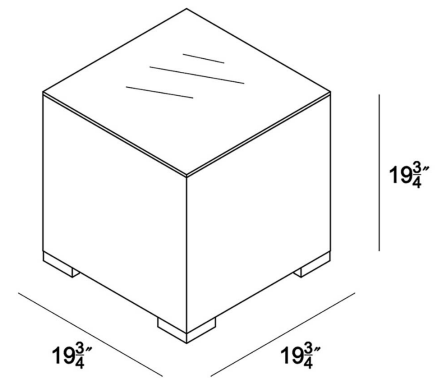


HARMONIA
LIVING

Arden End Table HL-ARD-CH-ET

Product Images





Description

The Arden End Table by Harmonia Living will bring additional functionality and practicality to your outdoor patio set. This collection's modern style and beautiful wicker give it a unique visual appeal, while sturdy, all-weather construction ensures lasting performance across the seasons. The wicker is made with durable High-Density Polyethylene (HDPE) and finished in a beautifully textured Chesnut color, which gives it a natural feel. A clear tempered glass top makes cleaning an easy task, while its thick-gauged aluminum frame provides a staple, durable foundation for your new end table.

Includes

- 1x Arden End Table (HL-ARD-CH-ET)

Dimensions

- Arden End Table: 19.75"L x 19.75"W x 19.75"H (23 lbs.)
- Frame Height: 19.75"

Features

- Wicker is hand-woven onto a thick gauge, powder coated aluminum frame that is lightweight, durable and corrosion resistant.
- Decorative teak wood feet. Each seat is triple reinforced for lasting durability.
- Plastic foot glides help to protect your patio from scratching and also to help keep the furniture protected from dirt or water that can accumulate on the patio.
- Tempered glass top is extra strong and suitable for regular outdoor exposure.