

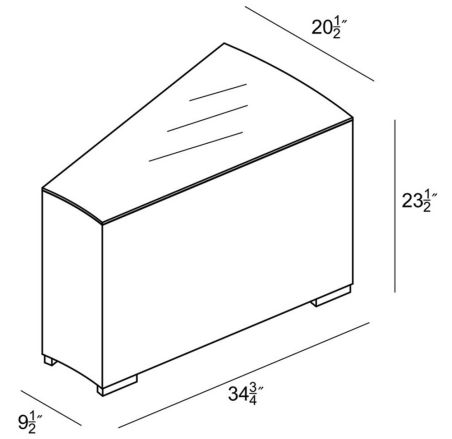


HARMONIA
LIVING

Arden Wedge End Table HL-ARD-CH-WET

Product Images





Description

The Arden Wedge End Table by Harmonia Living will bring additional functionality and practicality to your outdoor patio set. This collection's modern style and beautiful wicker give it a unique visual appeal, while sturdy, all-weather construction ensures lasting performance across the seasons. The wicker is made with durable High-Density Polyethylene (HDPE) and finished in a beautifully textured Chesnut color, which gives it a natural feel. A clear tempered glass top makes cleaning an easy task, while its thick-gauged aluminum frame provides a Staple, durable foundation for your new end table. This end table is intended for use with other Arden Sectional pieces.

Includes

- 1x Arden Wedge End Table (HL-ARD-CH-WET)

Dimensions

- Arden Wedge End Table: 34.75"L x 20.5"W x 23.5"H (35 lbs.)
- Frame Height: 23.5"
- Seat Height: 23.5"

Features

- Wicker is hand-woven onto a thick gauge, powder coated aluminum frame that is lightweight, durable and corrosion resistant.
- Decorative teak wood feet. Each seat is triple reinforced for lasting durability.
- Plastic foot glides help to protect your patio from scratching and also to help keep the furniture protected from dirt or water that can accumulate on the patio.
- Tempered glass top is extra strong and suitable for regular outdoor exposure.