

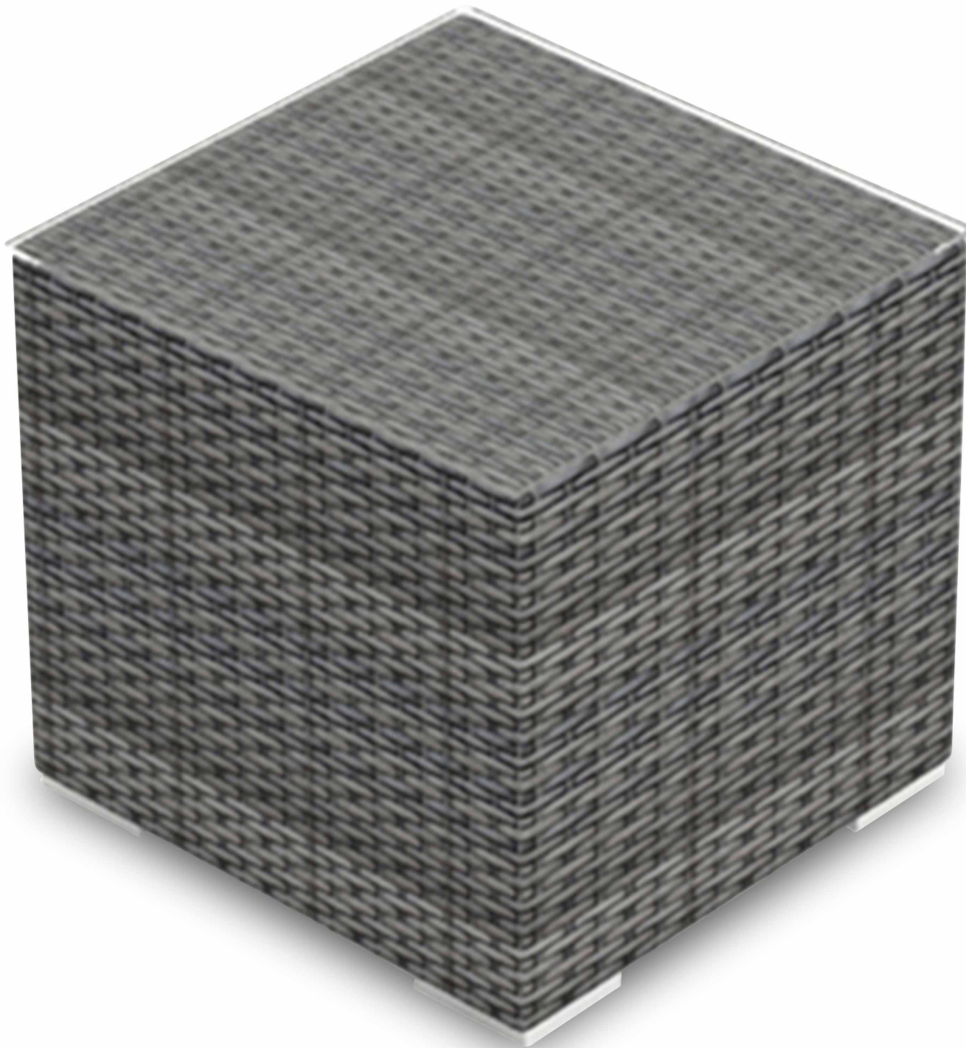


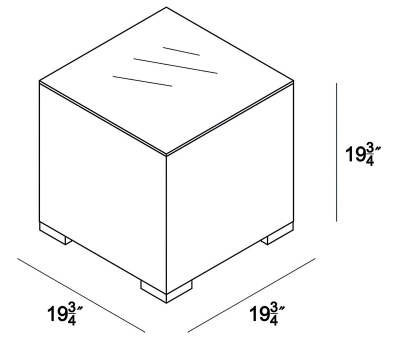
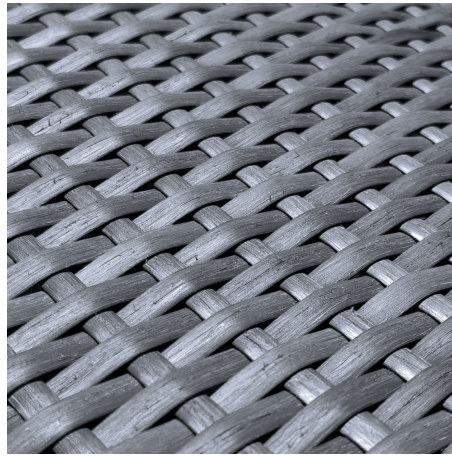
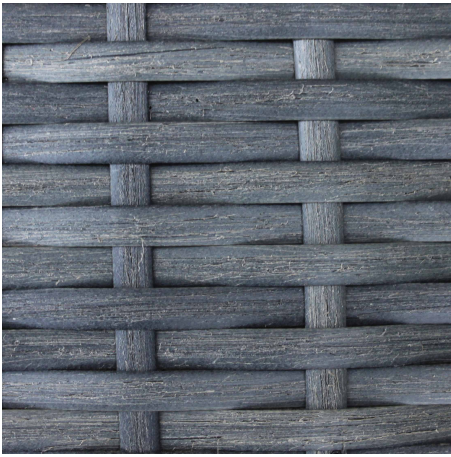
HARMONIA  
LIVING

District End Table HL-DIS-TS-ET

Product Images

---





## Description

---

The District End Table by Harmonia Living will bring additional style and practicality to your outdoor patio set. This piece's woven frame and weathered look give it a unique visual appeal, while sturdy, all-weather construction ensures lasting performance across the seasons. The wicker is made with durable High-Density Polyethylene (HDPE) and finished in a beautiful Textured Slate color, which gives it a natural feel. A clear tempered glass top makes cleaning an easy task, while its thick-gauged aluminum frame provides a Staple, durable foundation for your new end table.

## Includes

- 1x District End Table HL-DIS-TS-ET
- 1x Glass Top HL-ET-G

## Dimensions

- District End Table: 19.75L x 19.75W x 19.75H (29 lbs.)
  - Frame Height: 19.75

## Features

- High-Density Polyethylene (HDPE) is a synthetic all-weather wicker made with virgin materials that provides resistance to fading and cracking. Wicker color is infused into the HDPE wicker for lasting durability.
- Wicker is hand-woven onto a thick gauge, powder coated aluminum frame that is lightweight, durable and corrosion resistant.
- Decorative brushed aluminum feet
- Tempered glass top is extra strong and suitable for regular outdoor exposure.
- Plastic foot glides help to protect your patio from scratching and also to help keep the furniture protected from dirt or water that can accumulate on the patio.