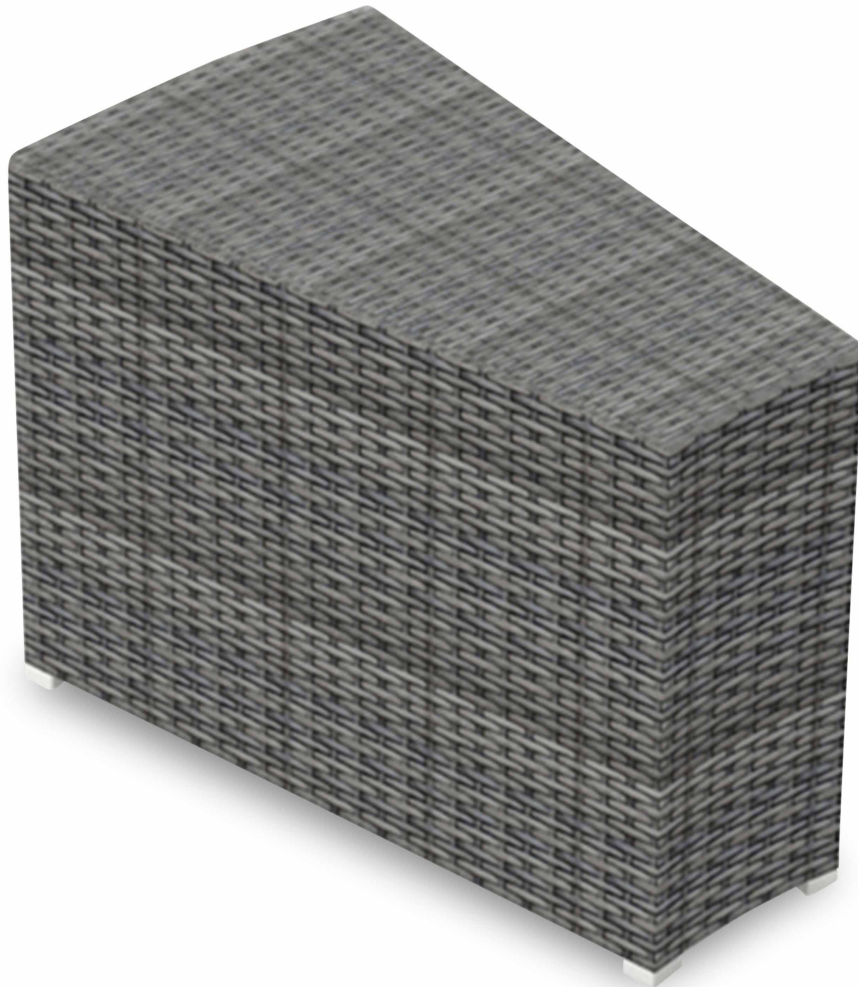


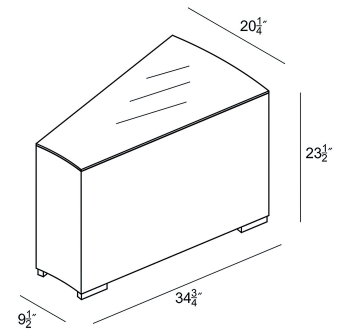
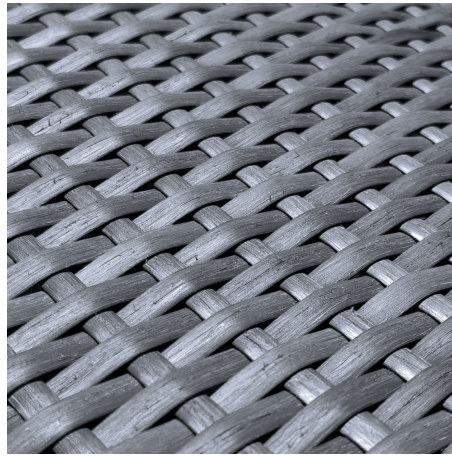
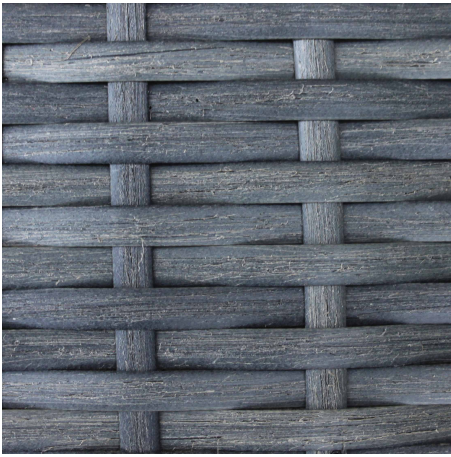


HARMONIA
LIVING

District Wedge End Table HL-DIS-TS-WET

Product Images





Description

The District Wedge End Table by Harmonia Living will bring additional style and practicality to your outdoor patio set. This piece's woven frame and weathered look give it a unique visual appeal, while sturdy, all-weather construction ensures lasting performance across the seasons. The wicker is made with durable High-Density Polyethylene (HDPE) and finished in a beautiful Textured Slate color, which gives it a natural feel. A clear tempered glass top makes cleaning an easy task, while its thick-gauged aluminum frame provides a staple, durable foundation for your new table. This table is designed to be used with the other coordinating District Sectional seating pieces.

Includes

- 1x District Wedge End Table HL-DIS-TS-WET
- 1x Glass Top HL-WET-G

Dimensions

- District Wedge End Table: 34.75L x 20.25W x 23.5H (35 lbs.)
 - Frame Height: 23.5

Features

- High-Density Polyethylene (HDPE) is a synthetic all-weather wicker made with virgin materials that provides resistance to fading and cracking. Wicker color is infused into the HDPE wicker for lasting durability.
- Wicker is hand-woven onto a thick gauge, powder coated aluminum frame that is lightweight, durable and corrosion resistant.
- Decorative brushed aluminum feet
- Tempered glass top is extra strong and suitable for regular outdoor exposure.
- Plastic foot glides help to protect your patio from scratching and also to help keep the furniture protected from dirt or water that can accumulate on the patio.