



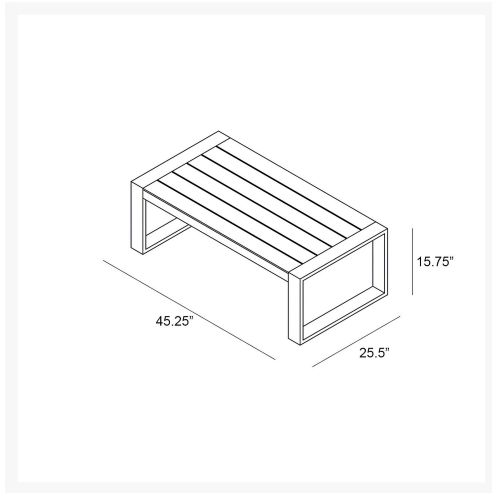
HARMONIA  
LIVING

Portal Coffee Table - Slate HL-PORT-CT

Product Images

---





## Description

---

Sophistication and versatility converge in the comfortable Tailor Dining Arm Chair by Harmonia Living. Bring the intimate style of the indoors outside with fine materials, including weather-resistant Texteline mixed with olefin fibers and powder-coated aluminum frames in a timeless, textured finish. The perfect companion to any dining table, the Tailor Dining Arm Chair also pairs nicely with an end table, bringing a touch of class to any poolside or porch.

## Includes

- 1x Portal Coffee Table - Slate (HL-PORT-CT)

## Dimensions

- Portal Coffee Table: 45.25"L x 25.5"W x 15.75"H (23 lbs.)
- Frame Height: 15.75"

## Features

- Plastic foot glides help to protect your patio from scratching and also to help keep the furniture protected from dirt or water that can accumulate on the patio.