

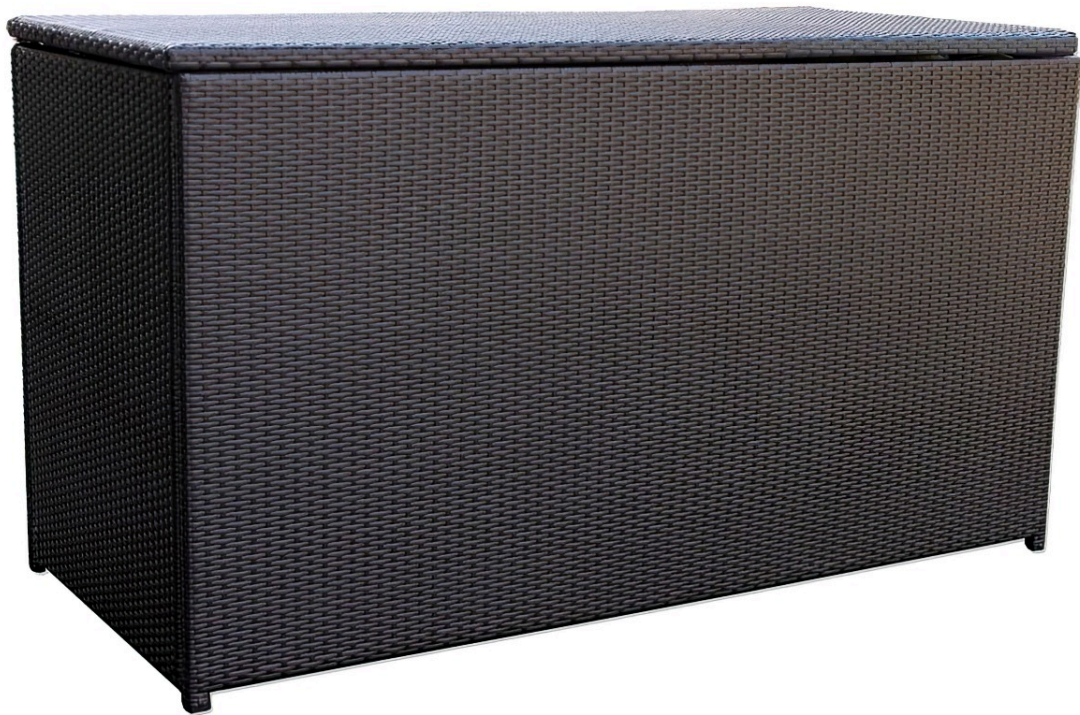


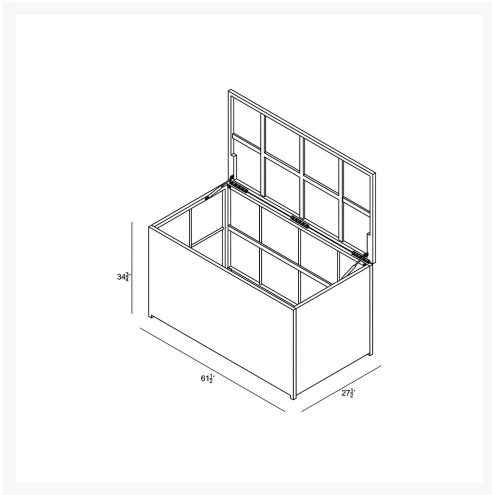
HARMONIA  
LIVING

Urbana Cushion Storage Box HL-URBN-CB-CSB

Product Images

---





## Description

Keep your outdoor cushions and pillows looking their best with the Urbana Cushion Storage Box by Harmonia Living. This storage box is designed to fit 5 sofa seat and back cushions, with enough extra room for an ottoman or corner sectional back cushion. The lid is conveniently water proof, and even features a hydraulic lift for easy access. The box's sturdy lifted feet provides air circulation, preventing dampness and mildew. Each strand of the piece's High-Density Polyethylene (HDPE) wicker is infused with a rich Textured Slate color and UV protection, giving it long-lasting color despite the elements.

## Includes

- 1x Urbana Cushion Storage Box (HL-URBN-CB-CSB)

## Dimensions

- Urbana Cushion Storage Box: 61.5"L x 27.5"W x 34.75"H (70 lbs.)
- Frame Height: 28.25"

## Features

- Wicker is hand-woven onto a thick gauge, powder coated aluminum frame that is lightweight, durable and corrosion resistant.
- Decorative brushed aluminum feet
- Plastic foot glides help to protect your patio from scratching and also to help keep the furniture protected from dirt or water that can accumulate on the patio.

- Hydraulic lift lid makes opening easy.