

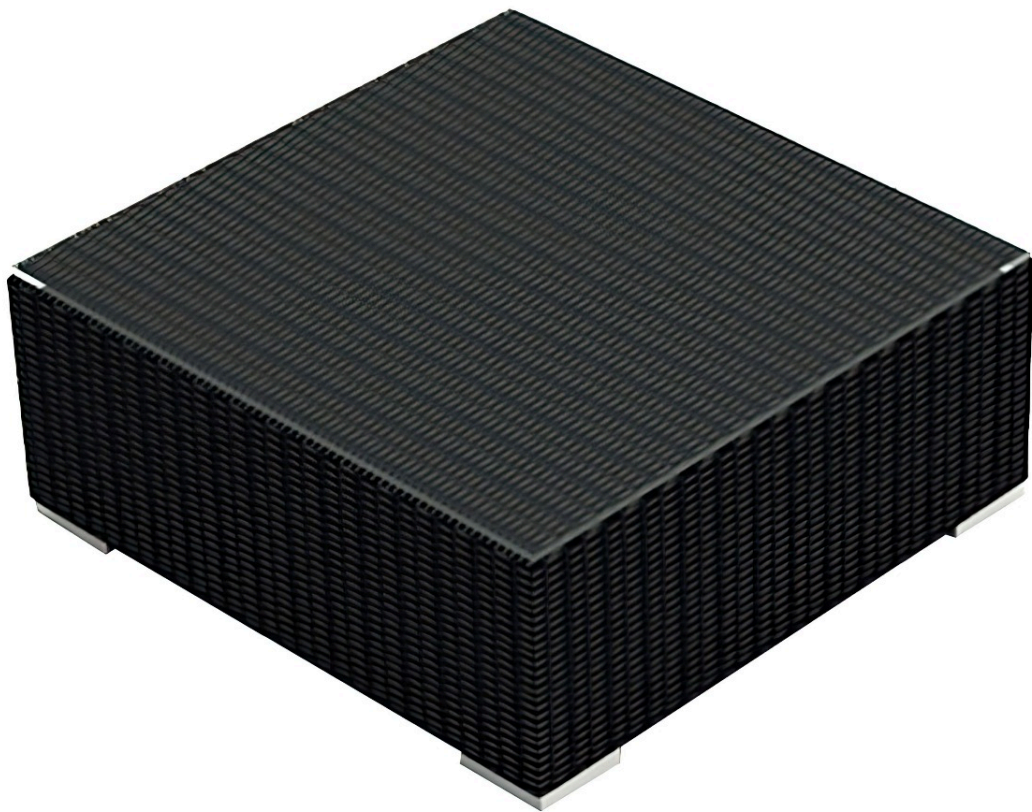


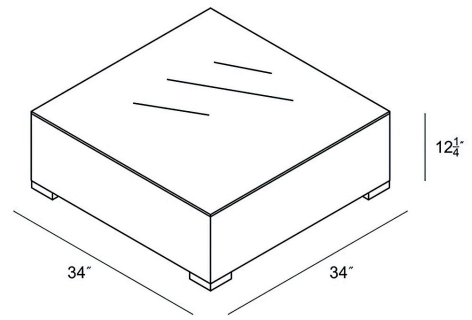
HARMONIA  
LIVING

Urbana Coffee Table HL-URBN-CB-CT

Product Images

---





## Description

---

The Urbana Coffee Table by Harmonia Living will bring additional style and practicality to your outdoor patio set. This collection's modern design and beautiful wicker give it a unique visual appeal, while sturdy, all-weather construction ensures lasting performance across the seasons. The wicker is made with durable High-Density Polyethylene (HDPE) and finished in a beautifully textured Coffee Bean color, which gives it a natural feel. A clear tempered glass top makes cleaning an easy task, while its thick-gauged aluminum frame provides a Staple, durable foundation for your new coffee table.

## Includes

- 1x Urbana Coffee Table (HL-URBN-CB-CT)

## Dimensions

- Urbana Coffee Table: 34"L x 34"W x 12.25"H (40 lbs.)
- Frame Height: 12.25"

## Features

- Wicker is hand-woven onto a thick gauge, powder coated aluminum frame that is lightweight, durable and corrosion resistant.
- Decorative brushed aluminum feet
- Plastic foot glides help to protect your patio from scratching and also to help keep the furniture protected from dirt or water that can accumulate on the patio.
- Hydraulic lift lid makes opening easy.