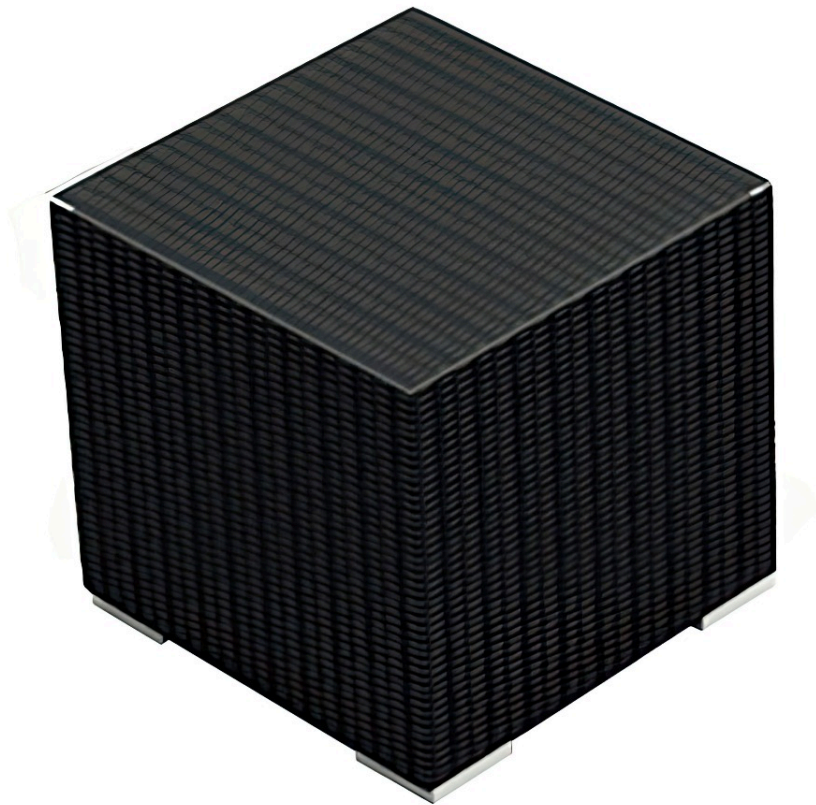


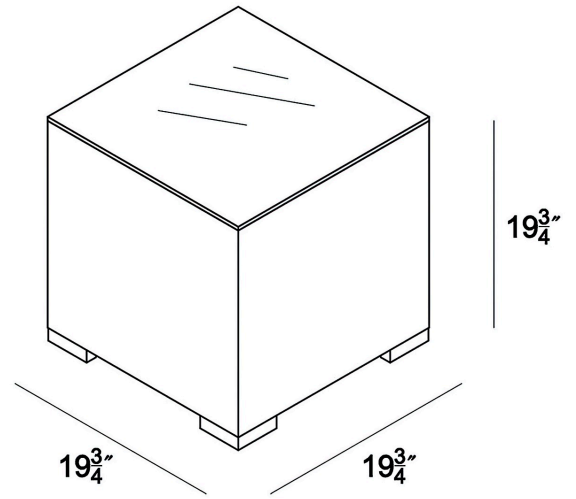


HARMONIA
LIVING

Urbana End Table HL-URBN-CB-ET

Product Images





Description

The Urbana End Table by Harmonia Living will bring additional style and practicality to your outdoor patio set. This collection's modern design and beautiful wicker give it a unique visual appeal, while sturdy, all-weather construction ensures lasting performance across the seasons. The wicker is made with durable High-Density Polyethylene (HDPE) and finished in a beautifully textured Coffee Bean color, which gives it a natural feel. A clear tempered glass top makes cleaning an easy task, while its thick-gauged aluminum frame provides a stable, durable foundation for your new end table.

Includes

- 1x Urbana End Table (HL-URBN-CB-ET)

Dimensions

- Urbana End Table: 19.75"L x 19.75"W x 19.75"H (29 lbs.)
- Frame Height: 19.75"

Features

- Wicker is hand-woven onto a thick gauge, powder coated aluminum frame that is lightweight, durable and corrosion resistant.
- Decorative brushed aluminum feet
- Plastic foot glides help to protect your patio from scratching and also to help keep the furniture protected from dirt or water that can accumulate on the patio.
- Hydraulic lift lid makes opening easy.