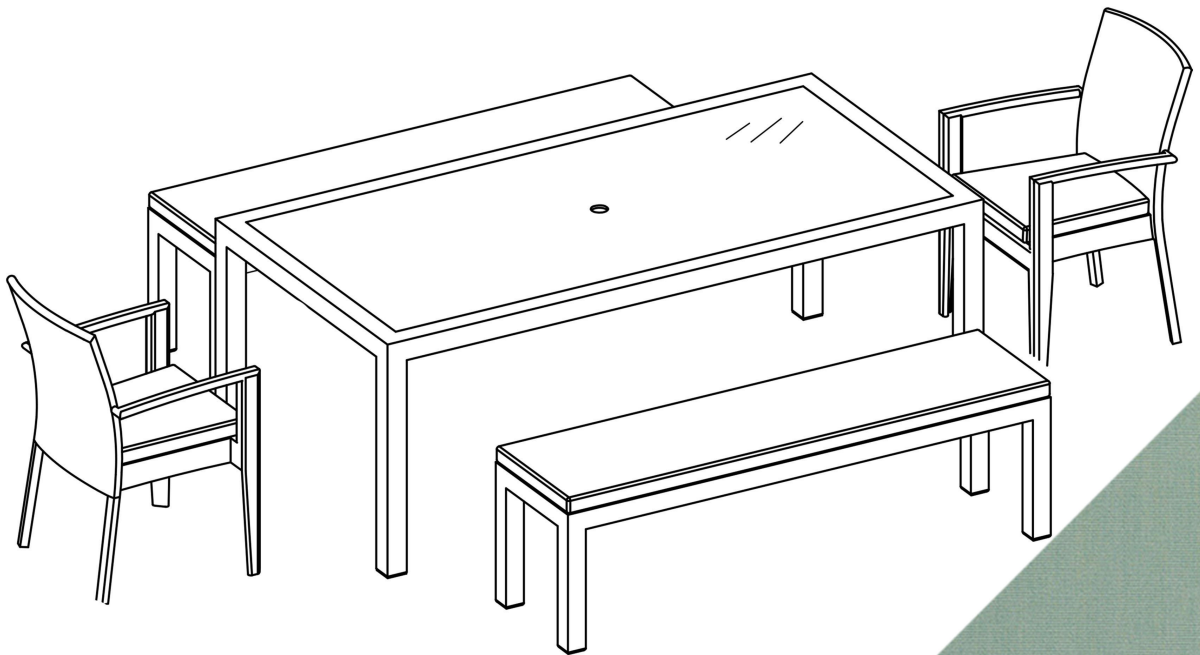


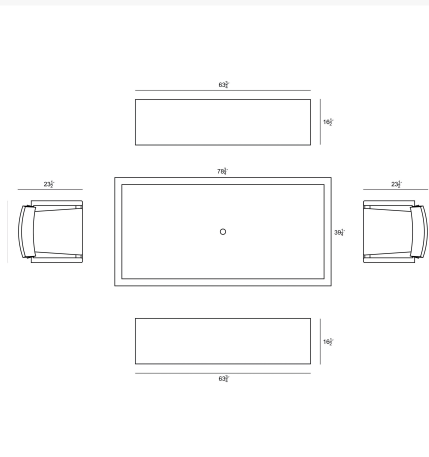
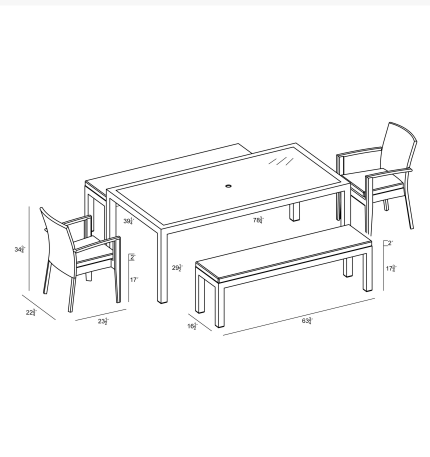
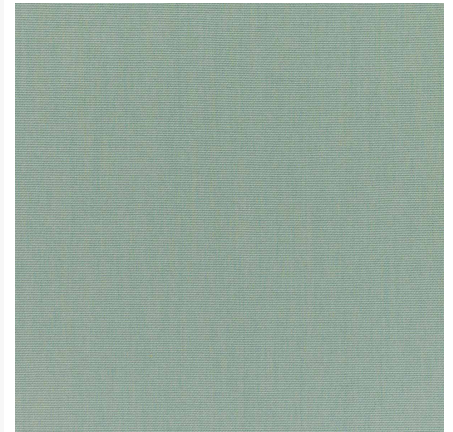
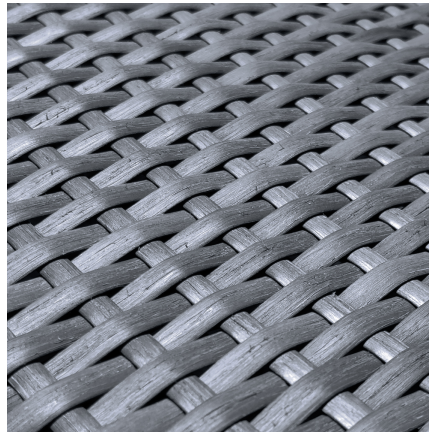
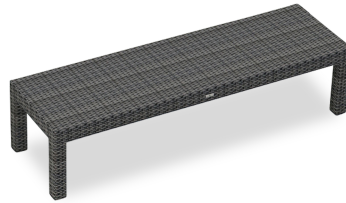


HARMONIA
LIVING

District 5 Piece 8-Seat Bench Dining Set - Canvas Spa HL-DIS-TS-8BDS-SP

Product Images





Description

For your next outdoor soiree, look no further than the District 5 Piece 8-Seat Bench Dining Set by Harmonia Living. Perfect for seating up to 6 people, this set will bring added functionality and style to your patio! This collection's high arms, flat, woven design and weathered look give it a unique visual appeal, while sturdy, all-weather construction ensures lasting performance across the seasons. The wicker is made with durable High-Density Polyethylene (HDPE) and finished in a beautiful Textured Slate color, which gives it a natural feel. Its sturdy aluminum frames and double reinforced seats are made to endure in any outdoor setting, rain or shine. The table is topped with frosted tempered glass, a finishing touch that is ideal for frequent use and cleaning. This set comes with 2 Dining Arm Chairs, 2 3-Seater Dining Benches and 1 Rectangular 8-Seater Table, perfect for your patio or outdoor lounge.

Includes

- 1x District 8-Seater Rectangular Dining Table HL-DIS-TS-8RCDT
- 2x District Dining Arm Chair HL-DIS-TS-DAC
- 2x District 3-Seater Dining Bench HL-DIS-TS-3DB

Dimensions

- District 8-Seater Rectangular Dining Table: 78.75L x 39.25W x 29.5H (115 lbs.)
 - Frame Height: 29.5
 - Under Table Height: 27
- District Dining Arm Chair: 22.75L x 23.5W x 34.75H (17 lbs.)
 - Frame Height: 34.75
 - Seat Height (No Cushion): 17
 - Seat Height (With Cushion): 19.5
 - Back Height: 14.75
 - Arm Height: 26
- District 3-Seater Dining Bench: 63.75L x 16.5W x 17.75H (20 lbs.)
 - Frame Height: 17.75
 - Seat Height (No Cushion): 17.75
 - Seat Height (With Cushion): 20.25

Features

- High-Density Polyethylene (HDPE) is a synthetic all-weather wicker made with virgin materials that provides resistance to fading and cracking. Wicker color is infused into the HDPE wicker for lasting durability.
- Wicker is hand-woven onto a thick gauge, powder coated aluminum frame that is lightweight, durable and corrosion resistant.
- Each seat is double reinforced for lasting durability
- Stackable design makes storage and transportation easy.
- Tempered glass top is extra strong and suitable for regular outdoor exposure.
- Plastic foot glides help to protect your patio from scratching and also to help keep the furniture protected from dirt or water that can accumulate on the patio.
- Pre-cut umbrella hole fits umbrellas with a pole diameter up to 1.5" and includes a matching umbrella hole cover.
- Cushions are made in America using American materials including Sunbrella, Outdura and Revolution performance fabrics which are easy to clean, are fade, stain, mildew resistant and carry a 5 year warranty.
- Machine washable cushion covers feature durable and frustration free YKK brand zippers for easy removal. Top and bottoms of our seat cushions are identical so they can be flipped if a stain gets on the cushion between machine washes.
- All cushions are sewn with PremoBond brand marine-grade UV treated thread made from high-quality mold, mildew, and rot resistant bonded polyester to ensure your cushions won't fall apart at the seams.
- Each seam is finished with overlock stitching for additional durability, reinforcement, weather proofing and to prevent the fraying of internal fabric edges during machine washing.
- American made CertiPUR-US® certified foam cushion inserts which are produced without harmful chemicals such as formaldehyde, ozone depleters, PBDEs, TDCPP or TCEP flame retardants and are free of mercury, lead, and other heavy metals to protect the planet as well as the health of you and your loved ones.
- Thick 2.5" foam cushion inserts creates a cushion that's firm enough to avoid bottoming out, but soft

enough for comfort.

- Cushion ties are sewn to the back of each seat cushion to secure them in place to the frame.