



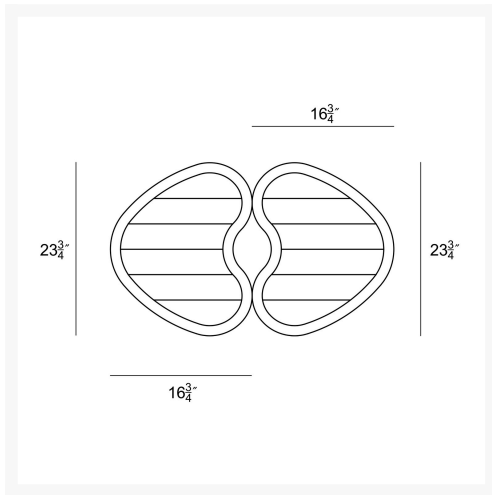
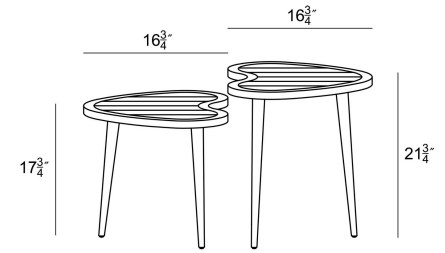
HARMONIA  
LIVING

Fifties 2 Piece End Tables Set HL-FIF-TK-2ETS

Product Images

---





## Description

With its clean and simplistic design, the Fifties End Table Set is the perfect accompaniment to your outdoor seating arrangement. Handmade from sustainably sourced Teak, these tables are constructed to not only bring the undeniable charm of mid-century furniture to your home, but they are also made to last.

## Includes

- 1x Fifties Large End Table HL-FIF-TK-LET
- 1x Fifties Small End Table HL-FIF-TK-SET

## Dimensions

- Fifties Large End Table: 23.75L x 16.75W x 21.75H
- Fifties Small End Table: 23.75L x 16.75W x 17.75H

## Features

- Made from sustainable certified V legal, Grade A teak is harvested responsibly. Grade A teak is from mature trees that features grain that is more even, and color that is more consistent than lesser grades of teak.
- Teak is dense hardwood that is naturally oily which offers benefits over other natural woods including resistance to light, heat, moisture and pest damage.
- New teak wood furniture will have a warm golden hue that patinas to a silvery grey over time. Letting the teak patina will not compromise the integrity of the wood, however, to keep the golden color, clean

the teak furniture about once a year and apply a thin layer of teak oil.

- Plastic foot glides help to protect your patio from scratching and also to help keep the furniture protected from dirt or water that can accumulate on the patio.