

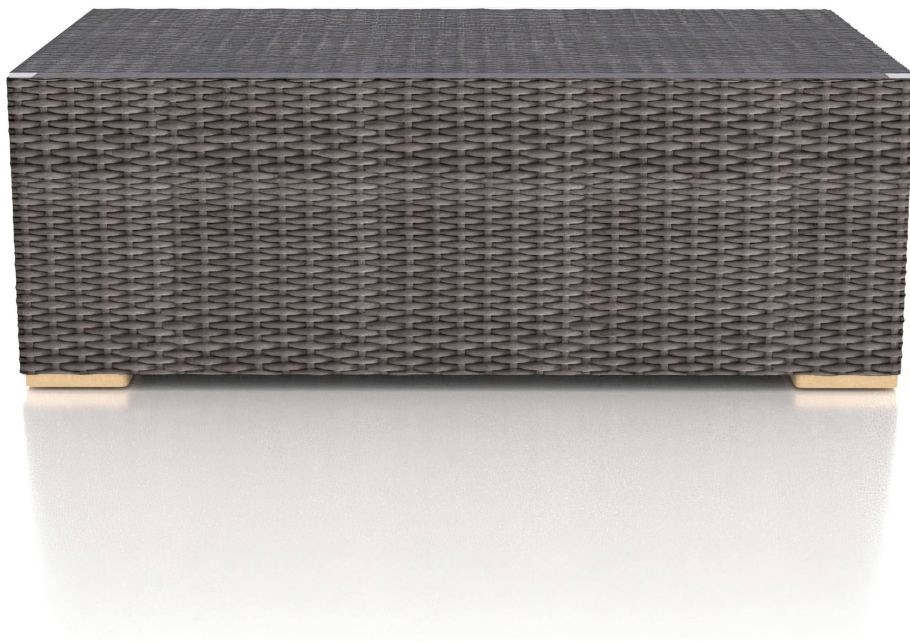


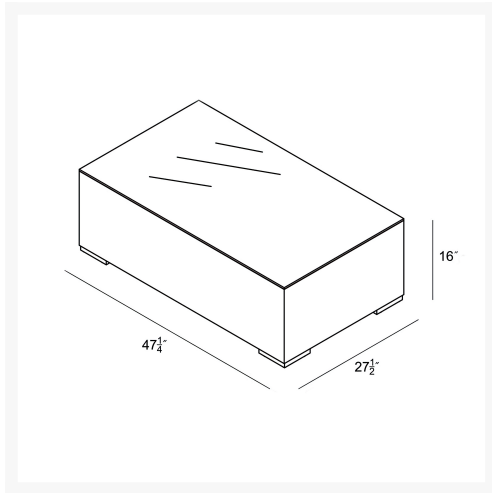
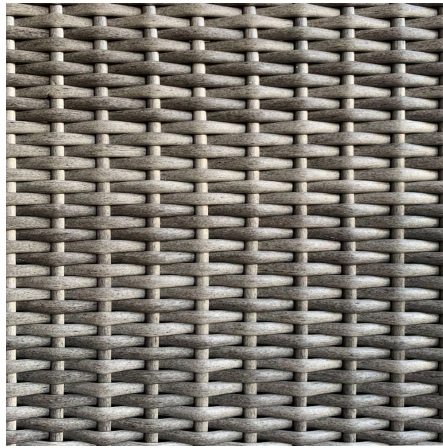
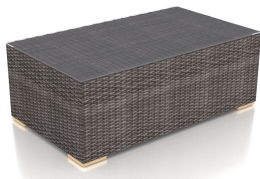
HARMONIA  
LIVING

Dune Coffee Table HL-DUNE-DW-CT

Product Images

---





## Description

---

The Dune Coffee Table by Harmonia Living will bring additional style and practicality to your outdoor patio set. This collection's modern design and beautiful wicker give it a unique visual appeal, while sturdy, all-weather construction ensures lasting performance across the seasons. The wicker is made with durable High-Density Polyethylene (HDPE) and finished in a beautifully textured Driftwood color, which gives it a natural feel. A clear tempered glass top makes cleaning an easy task, while its thick-gauged aluminum frame provides a staple, durable foundation for your new coffee table.

## Includes

- 1x Dune Coffee Table HL-DUNE-DW-CT
- 1x Glass Top HL-LCT-G

## Dimensions

- Dune Coffee Table: 47.25L x 27.5W x 16H (60 lbs.)
  - Frame Height: 16

## Features

- High-Density Polyethylene (HDPE) is a synthetic all-weather wicker made with virgin materials that provides resistance to fading and cracking. Wicker color is infused into the HDPE wicker for lasting durability.
- Wicker is hand-woven onto a thick gauge, powder coated aluminum frame that is lightweight, durable

and corrosion resistant.

- Decorative teak wood feet. Each seat is triple reinforced for lasting durability.
- Tempered glass top is extra strong and suitable for regular outdoor exposure.
- Plastic foot glides help to protect your patio from scratching and also to help keep the furniture protected from dirt or water that can accumulate on the patio.