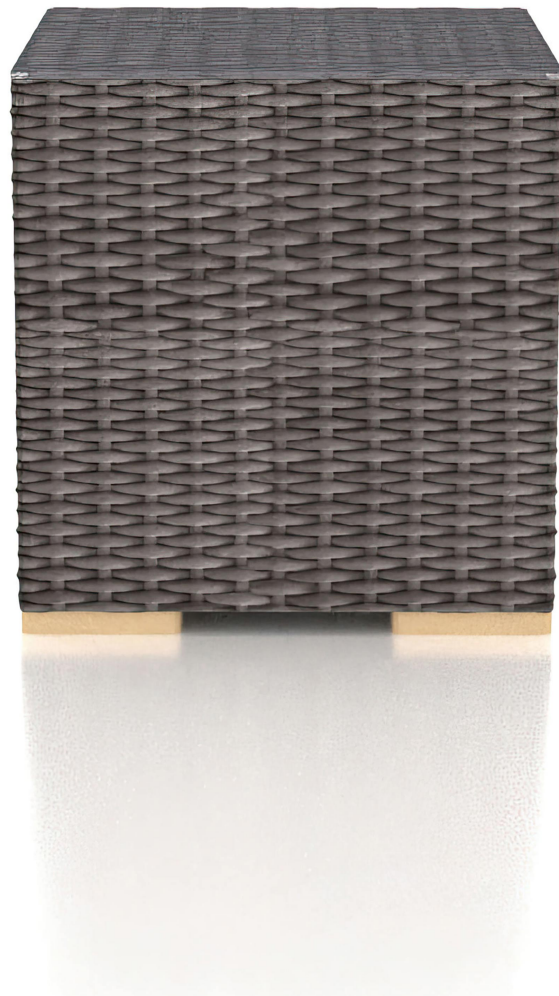


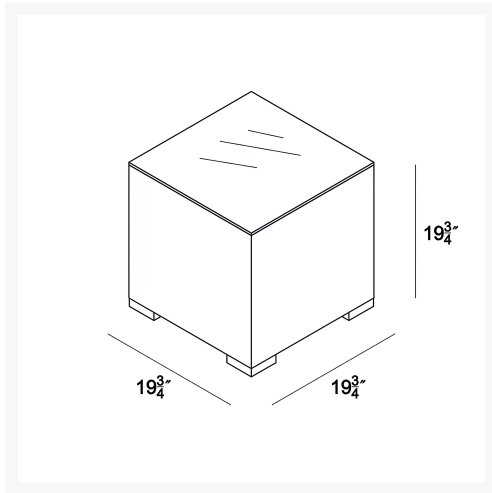
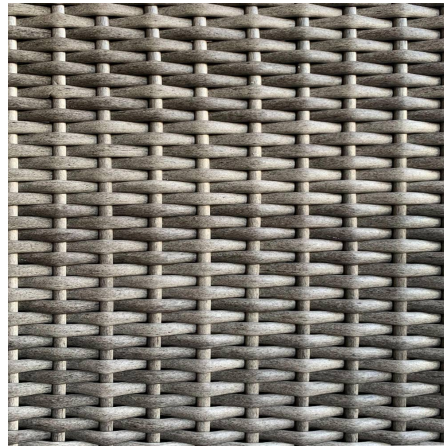
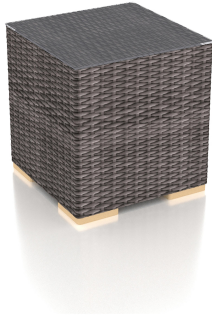


HARMONIA
LIVING

Dune End Table HL-DUNE-DW-ET

Product Images





Description

The Dune End Table by Harmonia Living will bring additional style and practicality to your outdoor patio set. This collection's modern style, teak highlights and beautiful wicker give it a unique visual appeal, while sturdy, all-weather construction ensures lasting performance across the seasons. The wicker is made with durable High-Density Polyethylene (HDPE) and finished in a beautifully textured Driftwood color, which gives it a natural feel. A clear tempered glass top makes cleaning an easy task, while its thick-gauged aluminum frame provides a Staple, durable foundation for your end table.

Includes

- 1x Dune End Table HL-DUNE-DW-ET
- 1x Glass Top HL-ET-G

Dimensions

- Dune End Table: 19.75L x 19.75W x 19.75H (23 lbs.)
 - Frame Height: 19.75

Features

- High-Density Polyethylene (HDPE) is a synthetic all-weather wicker made with virgin materials that provides resistance to fading and cracking. Wicker color is infused into the HDPE wicker for lasting durability.
- Wicker is hand-woven onto a thick gauge, powder coated aluminum frame that is lightweight, durable

and corrosion resistant.

- Decorative teak wood feet. Each seat is triple reinforced for lasting durability.
- Tempered glass top is extra strong and suitable for regular outdoor exposure.
- Plastic foot glides help to protect your patio from scratching and also to help keep the furniture protected from dirt or water that can accumulate on the patio.