



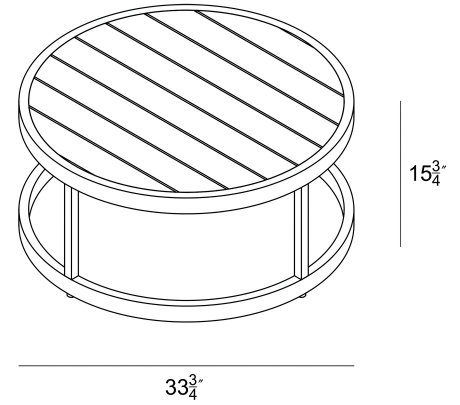
HARMONIA  
LIVING

Avion Round Coffee Table - Slate HL-AVN-SL-RCT

Product Images

---





## Description

---

An inspired blend of Midcentury Modernism and contemporary lines, the Avion Sofa by Harmonia Living brings artful design to your outdoor space. The hallmarks of the collection include durable aluminum metalwork, a sleek silhouette, and extra-spacious deep seating. Stain-resistant Sunbrella® fabric cushions and weather-resistant powder-coated frames make Avion as sensible as it is stylish. If you wish to order this piece through Harmonia Living's Quick Ship program, make sure to select a Quick Ship (QS) fabric before checkout! All cushions are made in the USA from Sunbrella, Outdura, and Revolution performance fabrics which carry a 5 year fade warranty.

## Includes

- 1x Avion Round Coffee Table - Slate HL-AVN-SL-RCT

## Dimensions

- Avion Round Coffee Table : 33.75L x 33.75W x 15.75H (18 lbs.)
  - Frame Height: 15.75

## Features

- Durable, rust proof frames made from thick gauge aluminum with a high-quality powder coated finish that is appropriate for residential and commercial settings.
- Plastic leveling feet help to protect your patio and can be adjusted for uneven surfaces. They also help to keep the furniture protected from dirt or water that can accumulate on the patio.