

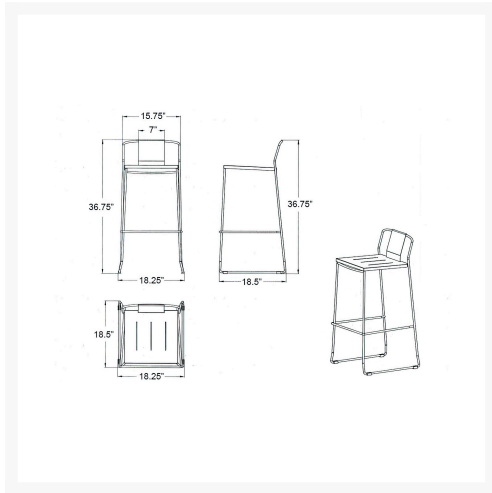


HARMONIA
LIVING

Frank Bar Chair - Matte White HL-FR-BC-MW

Product Images





Description

It doesn't get cooler than Frank to add some heat to your outdoor living space. Chic and sleek, The Frank Stackable Bar Chair by Harmonia Living always brings the party! Born from a stout fully welded steel frame, we then apply an automotive style Electrophoretically Deposited Primer (EDP) undercoat designed to protect the frame from corrosion. A durable non-gloss powder coat finishes the job. A touch of Midcentury Palm Springs style in durable indoor-outdoor friendly materials. Frank also plays well with others - especially our Betty Bistro Bar Table! Frank and Betty make a great pair for your next gathering.

Includes

- 1x Frank Bar Chair - Matte White (HL-FR-BC-MW)

Dimensions

- Frank Bar Chair: 18.25"L x 18.5"W x 36.75"H (19 lbs.)
- Frame Height: 36.75"
- Seat Height: 30"
- Back Height: 6.75"

Features

- Electrophoretically Deposited Primer (EDP) undercoat and top layer powder coat add extra durability, style and corrosion resistance.
- Commercial grade construction intended for regular indoor or outdoor use.

- Chairs contoured for comfort without a cushion.
- Vibrant Non-Gloss Powder coat Finish.
- Stackable design makes storage and transportation easy.