

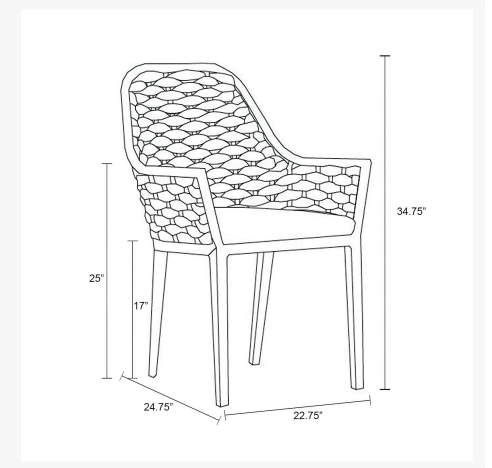


HARMONIA
LIVING

Parlor Dining Chair - Slate HL-PAR-SL-DAC-PEW

Product Images





Description

The Parlor Dining Arm Chair by Harmonia Living evokes the stately traditions of another era in sleek, modern colors and materials. A durable powder-coated aluminum frame in a matte finish is intertwined with wide bands of weather-resistant olefin fabric strapping to create a signature style statement. The Parlor Dining Arm Chair brings a touch of warmth and comfort to your poolside or porch, whether surrounding the dining table or paired with an end table for intimate outdoor conversation.

Includes

- 1x Parlor Dining Chair - Slate (HL-PAR-SL-DAC-PEW)

Dimensions

- Parlor Dining Chair: 22.75"L x 24.75"W x 34.75"H (16 lbs.)
- Frame Height: 34.75"
- Seat Height (No Cushion): 17"
- Seat Height (With Cushion): 19.25"
- Back Height: 15.5"
- Arm Height: 25"

Features

- Padded Olefin rope seat bucket contoured for comfort.
- Stackable design makes storage and transportation easy.

- Plastic foot glides help to protect your patio from scratching and also to help keep the furniture protected from dirt or water that can accumulate on the patio.
- Includes dining seat pad for additional comfort.