

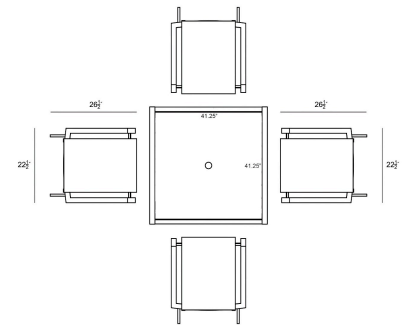
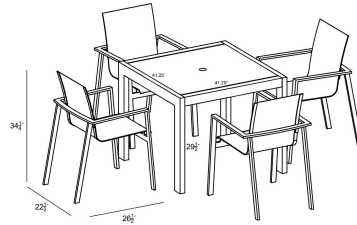
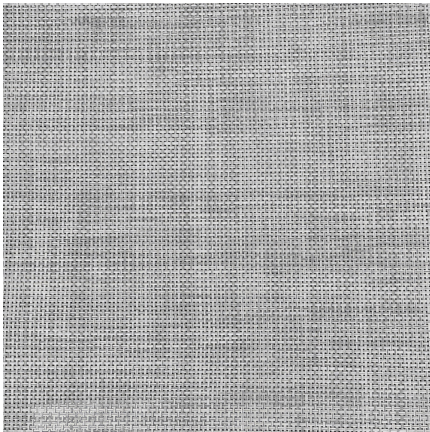


HARMONIA LIVING

Lift 5 Piece Dining Set - Slate HL-LIFT-SL-5DS-DW

Product Images





Description

The Lift 5 Piece Dining Set pairs Harmonia Living's Staple 4-Seater Square Dining Table (HL-STA-SL-4SQDT-AC) which boasts timeless modern lines and durable, low-maintenance materials with four Lift Stackable Dining Chairs (HL-LIFT-SL-DAC-DW). A unique tempered glass top with a scratch-proof ceramic coating is the table's proudest feature. The Staple's versatile design make it the perfect companion to the low maintenance.

Includes

- 4x Lift Dining Arm Chair - Slate HL-LIFT-SL-DAC-DW
- 1x Staple 4-Seater Square Dining Table - Slate HL-STA-SL-4SQDT-AC

Dimensions

- Lift Dining Arm Chair : 22.5L x 26.5W x 34.25H (6 lbs.)
 - Frame Height: 34.25
 - Seat Height (No Cushion): 17.75
 - Back Height: 16.5
 - Arm Height: 25.25
- Staple 4-Seater Square Dining Table : 41.25L x 41.25W x 29.5H (43 lbs.)
 - Frame Height: 29.5
 - Under Table Height: 27.5

Features

- Durable, rust proof frames made from thick gauge aluminum with a high-quality powder coated finish that is appropriate for residential and commercial settings.
- Comfortable, quick-drying sling fabric.
- Extra strong tempered glass top with scratch-proof ceramic coating will hide fingerprints and dust.
- Pre-cut umbrella hole fits umbrellas with a pole diameter up to 1.5" and includes a matching umbrella hole cover.
- Stackable design makes storage and transportation easy.
- Plastic foot glides help to protect your patio from scratching and also to help keep the furniture protected from dirt or water that can accumulate on the patio.