



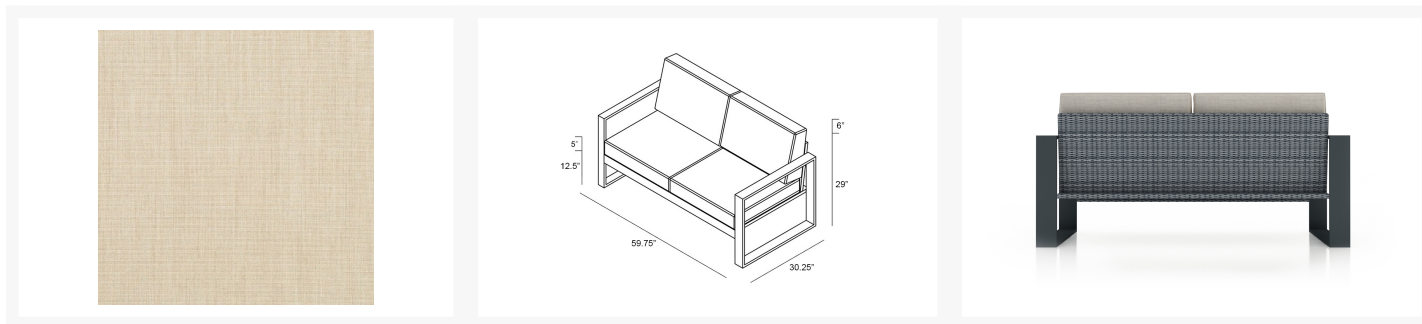
HARMONIA  
LIVING

DISCONTINUED Portal Loveseat - Textured Slate - Canvas Flax HL-PORT-TS-LS-CF

Product Images

---





## Description

---

The Portal Collection by Harmonia Living evokes the beautiful horizontal simplicity of modern architectural lines. Its design-forward blend of wicker, metal and distinct outdoor fabric provides the perfect complement to any outdoor setting, from beachside deck to urban rooftop. The wicker is made with durable High-Density Polyethylene (HDPE) and finished in a beautiful textured color of your choice, will provide it with a natural feel. This piece's sturdy aluminum frame and fade resistant cushions are made to endure in any outdoor setting, rain or shine. Scaled for versatility without sacrificing comfort, Portal will make a statement in living spaces of all shapes and sizes.

## Includes

- 1x Portal Loveseat - Textured Slate HL-PORT-TS-LS

## Dimensions

- Portal Loveseat : 59.75L x 30.25W x 35H (55 lbs.)
  - Seat Height (No Cushion): 12.5
  - Seat Height (With Cushion): 18.25
  - Back Height: 16.75
  - Arm Height: 24.75

## Features

- Durable, rust proof frames made from thick gauge aluminum with a high-quality powder coated finish that is appropriate for residential and commercial settings.
- High-Density Polyethylene (HDPE) is a synthetic all-weather wicker made with virgin materials that provides resistance to fading and cracking. Wicker color is infused into the HDPE wicker for lasting durability.
- Wicker is hand-woven onto a thick gauge, powder coated aluminum frame that is lightweight, durable and corrosion resistant.
- Cushions are made in America using American materials including Sunbrella, Outdura and Revolution performance fabrics which are easy to clean, are fade, stain, mildew resistant and carry a 5 year warranty.
- Machine washable cushion covers feature durable and frustration free YKK brand zippers for easy removal. Top and bottoms of our seat cushions are identical so they can be flipped if a stain gets on the cushion between machine washes.
- All cushions are sewn with PremoBond brand marine-grade UV treated thread made from high-quality mold, mildew, and rot resistant bonded polyester to ensure your cushions won't fall apart at the seams.
- Each seam is finished with overlock stitching for additional durability, reinforcement, weather proofing

and to prevent the fraying of internal fabric edges during machine washing.

- American made CertiPUR-US® certified foam cushion inserts which are produced without harmful chemicals such as formaldehyde, ozone depleters, PBDEs, TDCPP or TCEP flame retardants and are free of mercury, lead, and other heavy metals to protect the planet as well as the health of you and your loved ones.
- Thick 4.5" foam seat cushion inserts plus additional layers of 1" of quick-drying Dacron on the top and bottom to help wick away moisture. This combination of layers creates the "Goldilocks" of cushions, firm enough to avoid bottoming out but soft enough for comfort.
- Back cushions are filled with 100% polyester fill fibers for a cloud-like back rest. The insert is sewn shut in a mesh incasing to keep the filling clean and easy to unstuff.