

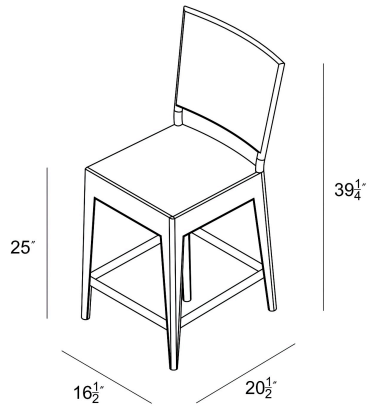


HARMONIA
LIVING

Urbana Counter Height Chair HL-URBN-CB-CHC

Product Images





Description

The Urbana Counter Height Chair by Harmonia Living features a clean, simple build that will add modern style to your outdoor dining experience. This collection's rich, dark look and detailed wicker give it a unique visual appeal, while sturdy, all-weather construction ensures lasting performance across the seasons. The wicker is made with durable High-Density Polyethylene (HDPE) and finished in a beautifully textured Coffee Bean color, which gives it a natural feel. Its sturdy aluminum frame and double reinforced seat are made to endure in any outdoor setting, rain or shine.

Includes

- 1x Urbana Counter Height Chair (HL-URBN-CB-CHC)

Dimensions

- Urbana Counter Height Chair: 16.5"L x 20.5"W x 39.25"H (14 lbs.)
- Frame Height: 39.25"
- Seat Height (No Cushion): 25"
- Seat Height (With Cushion): 27.5"
- Back Height: 12.25"

Features

- Wicker is hand-woven onto a thick gauge, powder coated aluminum frame that is lightweight, durable and corrosion resistant.
- Each seat is double reinforced for lasting durability
- Plastic foot glides help to protect your patio from scratching and also to help keep the furniture protected from dirt or water that can accumulate on the patio.
- Cushions are made in America using American materials including Sunbrella, Outdura and Revolution performance fabrics which are easy to clean, are fade, stain, mildew resistant and carry a 5 year warranty.
- Machine washable cushion covers feature durable and frustration free YKK brand zippers for easy removal. Top and bottoms of our seat cushions are identical so they can be flipped if a stain gets on the cushion between machine washes.
- All cushions are sewn with PremoBond brand marine-grade UV treated thread made from high-quality mold, mildew, and rot resistant bonded polyester to ensure your cushions won't fall apart at the seams.
- Each seam is finished with overlock stitching for additional durability, reinforcement, weather proofing and to prevent the fraying of internal fabric edges during machine washing.
- American made CertiPUR-US® certified foam cushion inserts which are produced without harmful chemicals such as formaldehyde, ozone depleters, PBDEs, TDCPP or TCEP flame retardants and are free of mercury, lead, and other heavy metals to protect the planet as well as the health of you and your loved ones.
- Thick 2.5" foam cushion inserts creates a cushion that's firm enough to avoid bottoming out, but soft enough for comfort.
- Velcro belts are used to secure the cushion to the back of the frame.