

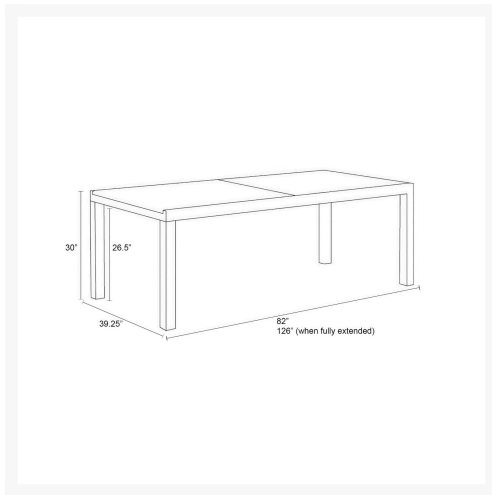


HARMONIA
LIVING

Spread Extendable Dining Table - White/Concrete HL-SP-WT-EXTDT-CON

Product Images





Description

The Spread Extendable Dining Table with Al-Stone top by Harmonia Living will have you relaxing and enjoying good food and great company in your outdoor living space. Our unique Al-Stone table top brings the chic look of concrete to a durable aluminum top in a strikingly stylish way. Extendable to accommodate up to twelve, versatility and easy maintenance make the Spread Extendable Dining Table the perfect centerpiece for outdoor entertainment.

Includes

- 1x Spread 82-126" Extendable Dining Table - White/Concrete (HL-SP-WT-EXTDT-CON)

Dimensions

- Spread 82-126" Extendable Dining Table: x 39.25"W x 30"H (110 lbs.)
- Frame Height: 30"
- Under Table Height: 26.5"

Features

- Scratch resistant proprietary Al-Stone top with a concrete look.
- Easy and durable extension mechanism, simply pull apart the table from both sides and flip the extension leaf into place where it will stay put with magnetic hardware.
- Plastic foot glides help to protect your patio from scratching and also to help keep the furniture protected from dirt or water that can accumulate on the patio.

- Recommended for use only under covered patios, or if placed in direct sun, must be covered with protective cover to prevent fading