

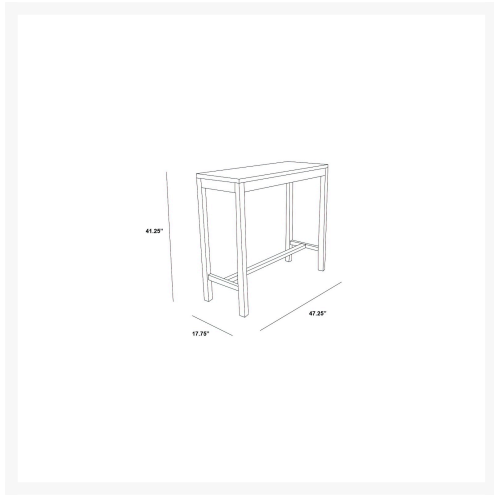


HARMONIA
LIVING

Vino 4-Seater Bar table HL-VINO-TK-4BT

Product Images





Description

The Vino Bar Table is the answer to the question you never thought to ask. Finally, there is a compact and easy to use table that can providing dining for 4 without taking up too much space. This bar table, made from Teak wood, which is one of the most durable and rot resistant woods used for patio furniture.

Includes

- 1x Vino 47" Rectangular Bar Table (HL-VINO-TK-4BT)

Dimensions

- Vino 47" Rectangular Bar Table: 47.25"L x 17.75"W x 41.25"H (25 lbs.)
- Frame Height: 41.25"
- Under Table Height: 38.75"

Features

- Teak is dense hardwood that is naturally oily which offers benefits over other natural woods including resistance to light, heat, moisture and pest damage.
- New teak wood furniture will have a warm golden hue that patinas to a silvery grey over time. Letting the teak patina will not compromise the integrity of the wood, however, to keep the golden color, clean the teak furniture about once a year and apply a thin layer of teak oil.
- Plastic foot glides help to protect your patio from scratching and also to help keep the furniture protected from dirt or water that can accumulate on the patio.