



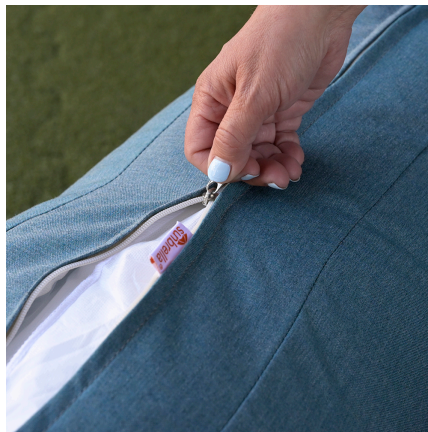
HARMONIA  
LIVING

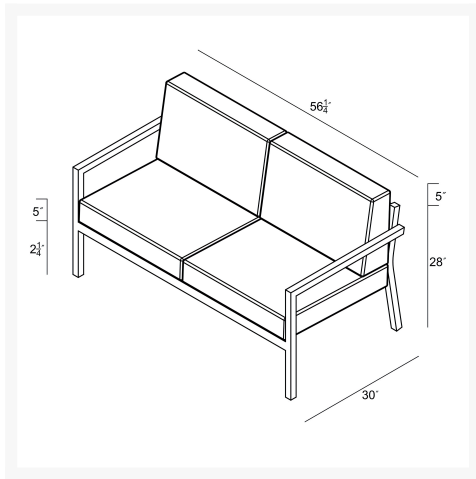
Pacifica Loveseat - Slate HL-PAC-SL-LS

Product Images

---







## Description

---

The Pacifica Loveseat by Harmonia Living will bring refinement and relaxation to your favorite outdoor space. Enjoy the simple elegance of its plush cushions, gentle angles and minimalist design, perfect for patios both large and small. Its sturdy aluminum frame and fade resistant cushions are made to endure in any outdoor setting, rain or shine. Surround this chair with light, natural decor for a zen vibe, or pair it with dark, bold decor to make more of a statement.

## Includes

- 1x Pacifica Loveseat - Slate HL-PAC-SL-LS

## Dimensions

- Pacifica Loveseat : 56.25L x 30W x 33.5H (53 lbs.)
  - Frame Height: 27.75
  - Seat Height (No Cushion): 12.75
  - Seat Height (With Cushion): 17.25
  - Back Height: 14.5
  - Arm Height: 24.5

## Features

- Durable, rust proof frames made from thick gauge aluminum with a high-quality powder coated finish that is appropriate for residential and commercial settings.
- Plastic leveling feet help to protect your patio and can be adjusted for uneven surfaces. They also help to keep the furniture protected from dirt or water that can accumulate on the patio.
- Cushions are made in America using American materials including Sunbrella, Outdura and Revolution performance fabrics which are easy to clean, are fade, stain, mildew resistant and carry a 5 year warranty.
- Machine washable cushion covers feature durable and frustration free YKK brand zippers for easy removal. Top and bottoms of our seat cushions are identical so they can be flipped if a stain gets on the cushion between machine washes.
- All cushions are sewn with PremoBond brand marine-grade UV treated thread made from high-quality mold, mildew, and rot resistant bonded polyester to ensure your cushions won't fall apart at the seams.
- Each seam is finished with overlock stitching for additional durability, reinforcement, weather proofing

and to prevent the fraying of internal fabric edges during machine washing.

- American made CertiPUR-US® certified foam cushion inserts which are produced without harmful chemicals such as formaldehyde, ozone depleters, PBDEs, TDCPP or TCEP flame retardants and are free of mercury, lead, and other heavy metals to protect the planet as well as the health of you and your loved ones.
- Thick 4.5" foam seat cushion inserts plus additional layers of 1" of quick-drying Dacron on the top and bottom to help wick away moisture. This combination of layers creates the "Goldilocks" of cushions, firm enough to avoid bottoming out but soft enough for comfort.
- Back cushions are filled with 100% polyester fill fibers for a cloud-like back rest. The insert is sewn shut in a mesh incasing to keep the filling clean and easy to unstuff.