



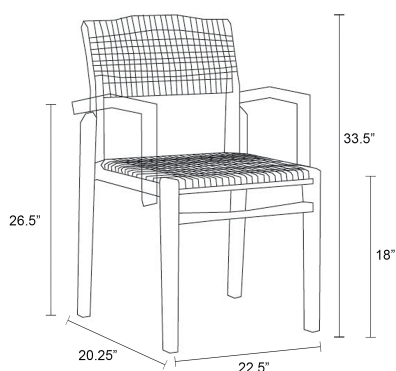
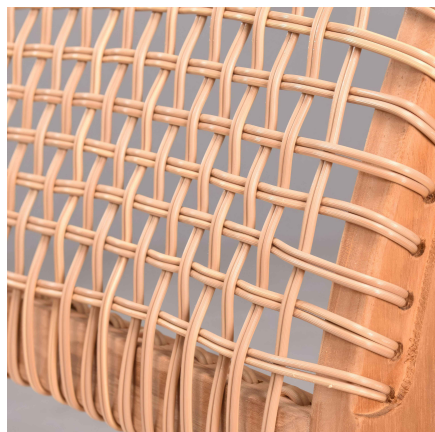
HARMONIA
LIVING

Sands Dining Arm Chair HL-SNDS-SD-DAC

Product Images







Description

The Sands Dining Arm Chair by Harmonia Living uses mixed materials and architectural accents for a stylish yet practical design. Featuring a finely sanded and sculpted teak wood frame that is handmade from sustainably harvested V-Legal Certified grade A teak. The seat is strapped with HDPE (High Density Polyethylene) wicker that makes for comfortable seating without the need for a cushion. Available in Sand Dune wicker which features a blend of light tan colors for a natural, seaside vibe. Durable and stylish, this chair will be the talk of your guests. Though the matching armless version is stackable this dining arm chair is not stackable.

Includes

- 1x Sands Dining Arm Chair HL-SNDS-SD-DAC

Dimensions

- Sands Dining Arm Chair: 22.5L x 20.25W x 33.5H (19 lbs.)
 - Frame Height: 33.5
 - Seat Height (No Cushion): 18
 - Seat Height (With Cushion): 20
 - Back Height: 13.25
 - Arm Height: 26.5

Features

- Made from sustainable certified V legal, Grade A teak is harvested responsibly. Grade A teak is from mature trees that features grain that is more even, and color that is more consistent than lesser grades of teak.
- Teak is dense hardwood that is naturally oily which offers benefits over other natural woods including resistance to light, heat, moisture and pest damage.
- New teak wood furniture will have a warm golden hue that patinas to a silvery grey over time. Letting the teak patina will not compromise the integrity of the wood, however, to keep the golden color, clean the teak furniture about once a year and apply a thin layer of teak oil.
- High-Density Polyethylene (HDPE) is a synthetic all-weather wicker made with virgin materials that provides resistance to fading and cracking. Wicker color is infused into the HDPE wicker for lasting durability.
- Stackable design makes storage and transportation easy.
- Plastic foot glides help to protect your patio from scratching and also to help keep the furniture protected from dirt or water that can accumulate on the patio.
- Cushions are made in America using American materials including Sunbrella, Outdura and Revolution performance fabrics which are easy to clean, are fade, stain, mildew resistant and carry a 5 year warranty.
- Machine washable cushion covers feature durable and frustration free YKK brand zippers for easy removal. Top and bottoms of our seat cushions are identical so they can be flipped if a stain gets on the cushion between machine washes.
- All cushions are sewn with PremoBond brand marine-grade UV treated thread made from high-quality mold, mildew, and rot resistant bonded polyester to ensure your cushions won't fall apart at the seams.
- Each seam is finished with overlock stitching for additional durability, reinforcement, weather proofing and to prevent the fraying of internal fabric edges during machine washing.
- American made CertiPUR-US® certified foam cushion inserts which are produced without harmful chemicals such as formaldehyde, ozone depleters, PBDEs, TDCPP or TCEP flame retardants and are free of mercury, lead, and other heavy metals to protect the planet as well as the health of you and your loved ones.
- Thick 2" foam cushion inserts creates a cushion that's firm enough to avoid bottoming out, but soft enough for comfort.
- Cushion ties are sewn to the back of each seat cushion to secure them in place to the frame.