

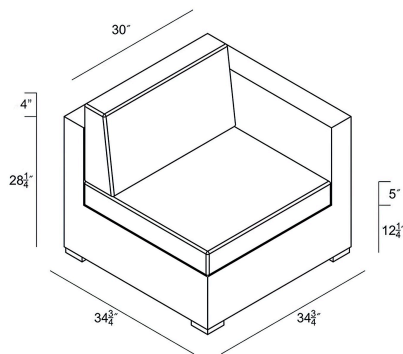
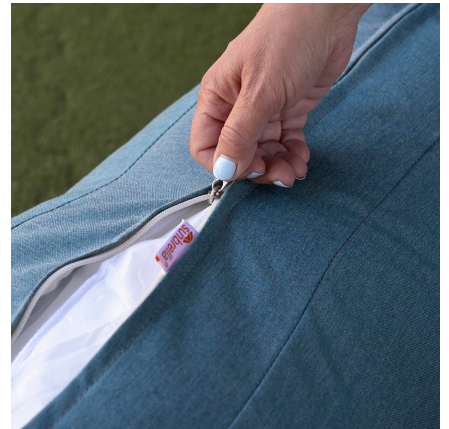


HARMONIA
LIVING

Urbana Right Arm Section HL-URBN-CB-RAS

Product Images





Description

The Urbana Right Arm Section by Harmonia Living is the perfect starting or end point for building your own stylish Urbana Sectional. The chair includes comfortable cushions covered in Sunbrella® fabric, the industry leader in mildew- and fade-resistant outdoor fabrics. Each strand of the piece's High-Density Polyethylene (HDPE) wicker is infused with a rich Coffee Bean color and UV protection, giving it long-lasting color despite the elements. The seat is triple reinforced for lasting durability. Each piece also features a thick-gauged aluminum frame that is corrosion resistant, giving this piece fantastic structural integrity. Underneath the brushed aluminum feet are plastic glides, allowing you to conveniently rearrange the set freely without worrying about scuffing your patio or deck. Designed to be used with other elements from the Urbana Collection.

Includes

- 1x Urbana Corner Section (HL-URBN-CB-CS)

Dimensions

- Urbana Right Arm Section: 34.75"L x 34.75"W x 32.25"H (30 lbs.)
- Frame Height: 28.25"
- Seat Height (No Cushion): 12.25"
- Seat Height (With Cushion): 17.25"
- Back Height: 15"
- Arm Height: 28.25"

Features

- Wicker is hand-woven onto a thick gauge, powder coated aluminum frame that is lightweight, durable and corrosion resistant.
- Each seat is triple reinforced for lasting durability.
- Decorative brushed aluminum feet
- Plastic foot glides help to protect your patio from scratching and also to help keep the furniture protected from dirt or water that can accumulate on the patio.
- Cushions are made in America using American materials including Sunbrella, Outdura and Revolution performance fabrics which are easy to clean, are fade, stain, mildew resistant and carry a 5 year warranty.
- Machine washable cushion covers feature durable and frustration free YKK brand zippers for easy removal. Top and bottoms of our seat cushions are identical so they can be flipped if a stain gets on the cushion between machine washes.
- All cushions are sewn with PremoBond brand marine-grade UV treated thread made from high-quality mold, mildew, and rot resistant bonded polyester to ensure your cushions won't fall apart at the seams.
- Each seam is finished with overlock stitching for additional durability, reinforcement, weather proofing and to prevent the fraying of internal fabric edges during machine washing.
- American made CertiPUR-US® certified foam cushion inserts which are produced without harmful chemicals such as formaldehyde, ozone depleters, PBDEs, TDCPP or TCEP flame retardants and are free of mercury, lead, and other heavy metals to protect the planet as well as the health of you and your loved ones.
- Thick 4.5" foam seat cushion inserts plus additional layers of 1" of quick-drying Dacron on the top and bottom to help wick away moisture. This combination of layers creates the "Goldilocks" of cushions, firm enough to avoid bottoming out but soft enough for comfort.

- Back cushions are filled with 100% polyester fill fibers for a cloud-like back rest. The insert is sewn shut in a mesh encasing to keep the filling clean and easy to unstuff.
- Cushion ties are sewn to the back of each seat cushion to secure them in place to the frame.