

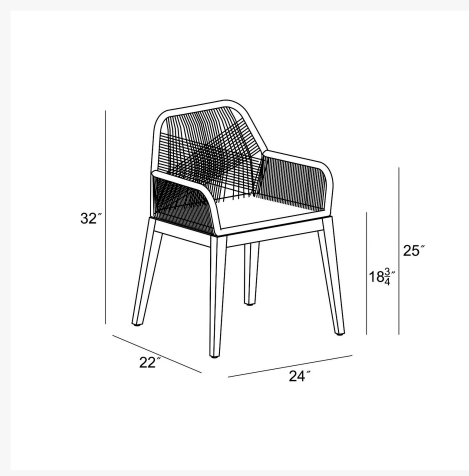


HARMONIA
LIVING

Carl Dining Arm Chair CARL-RP-DAC

Product Images





Description

The Carl Reclaimed Teak and Rope Outdoor Dining Arm Chair by Harmonia Living is a blend of intricate rope design and repurposed old-growth teak. The rope itself is twisted strands of high-density polyethylene (HDPE), crafted to form a sturdy and comfortable seat and back. This one of a kind piece of outdoor furniture is of the highest quality and comfort built to be long-lasting and in-style for years to come. Hand made by Indonesian craftsmen and expert artisans using sustainable reclaimed teak certified by the Forest Stewardship Council (FSC). The result is a sophisticated, compact in scale, heirloom dining chair that can be used to complete any patio or outdoor space.

Includes

- 1x Carl Dining Arm Chair CARL-RP-DAC

Dimensions

- Carl Dining Arm Chair : 24L x 22W x 32H (18 lbs.)
 - Frame Height: 32
 - Seat Height (No Cushion): 18.75
 - Back Height: 13.25
 - Arm Height: 25

Features

- 100% FSC certified Indonesian reclaimed teak is repurposed into high quality outdoor furniture.

- Each piece is a unique work of art, handcrafted by skilled artisans who are masters working with reclaimed teak.
- Made from reclaimed from deconstructed buildings and bridges, there is no harvesting of new teak trees to make this furniture.
- Teak is dense hardwood that is naturally oily which offers benefits over other natural woods including resistance to light, heat, moisture and pest damage.
- New teak wood furniture will have a warm golden hue that patinas to a silvery grey over time. Letting the teak patina will not compromise the integrity of the wood, however, to keep the golden color, clean the teak furniture about once a year and apply a thin layer of teak oil.
- High quality outdoor roping is woven onto an aluminum upper chair frame with natural teak wood legs for a stylish look.