



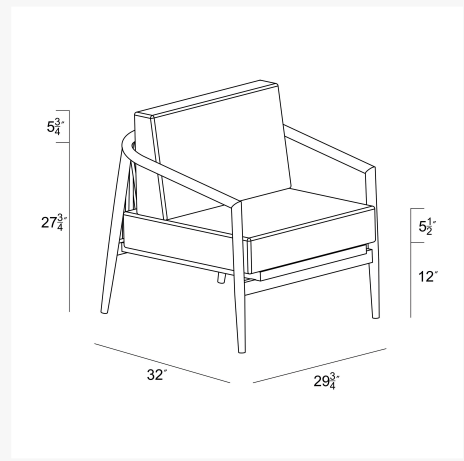
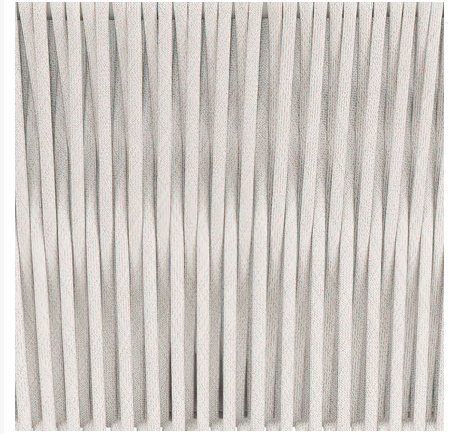
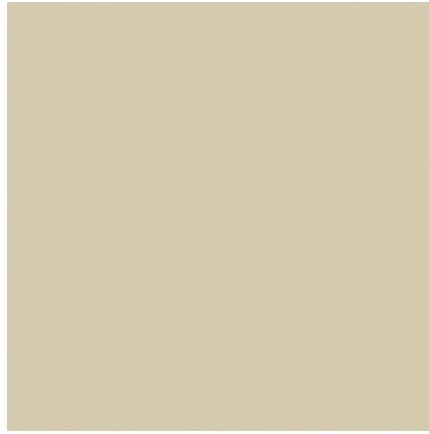
HARMONIA
LIVING

Olio Club Chair - Urban Stone/Carrera OLIO-US-CAR-CC

Product Images







Description

With a mixture of elegant materials, the Olio Outdoor Club Chair by Harmonia Living is an imagined Mid Century Modern design brought to life with Olefin rope and carefully selected powder-coat frame finishes. This club chair was efficiently designed to be both compact in its footprint while still offering full sized deep seating comfort. Accented with tapered legs, subtle curves and an intertwining roped back for flair, the silhouette of the Olio collection is a sophisticated work of art. Constructed with a fully welded rust proof aluminum frame and completed with plush, zippered outdoor cushions made in America from Sunbrella, Revolution and Outdura fabrics, the Olio Collection is truly built for life outdoors. Additionally, the club chair can stack or nest for seasonal storage making them ideal for both residential and contract settings.

Includes

- 1x Olio Club Chair - Urban Stone/Carrera OLIO-US-CAR-CC

Dimensions

- Olio Club Chair : 29.75L x 32W x 33H (31 lbs.)
 - Frame Height: 27.75
 - Seat Height (No Cushion): 12
 - Seat Height (With Cushion): 17.5
 - Back Height: 17
 - Arm Height: 24

Features

- Durable, rust proof frames made from thick gauge aluminum with a high-quality powder coated finish that is appropriate for residential and commercial settings.
- Olefin rope wraps around the frame to provide padding as well as heat moderation for improved comfort on hot or cold days.
- Plastic foot glides help to protect your patio from scratching and also to help keep the furniture protected from dirt or water that can accumulate on the patio.
- Cushions are made in America using American materials including Sunbrella, Outdura and Revolution performance fabrics which are easy to clean, are fade, stain, mildew resistant and carry a 5 year warranty.
- Machine washable cushion covers feature durable and frustration free YKK brand zippers for easy removal. Top and bottoms of our seat cushions are identical so they can be flipped if a stain gets on the cushion between machine washes.
- All cushions are sewn with PremoBond brand marine-grade UV treated thread made from high-quality mold, mildew, and rot resistant bonded polyester to ensure your cushions won't fall apart at the seams.
- Each seam is finished with overlock stitching for additional durability, reinforcement, weather proofing and to prevent the fraying of internal fabric edges during machine washing.
- American made CertiPUR-US® certified foam cushion inserts which are produced without harmful chemicals such as formaldehyde, ozone depleters, PBDEs, TDCPP or TCEP flame retardants and are free of mercury, lead, and other heavy metals to protect the planet as well as the health of you and your loved ones.
- Thick 4.5" foam seat cushion inserts plus additional layers of 1" of quick-drying Dacron on the top and bottom to help wick away moisture. This combination of layers creates the "Goldilocks" of cushions, firm enough to avoid bottoming out but soft enough for comfort.
- Back cushions are filled with 100% polyester fill fibers for a cloud-like back rest. The insert is sewn shut in a mesh incasing to keep the filling clean and easy to unstuff.