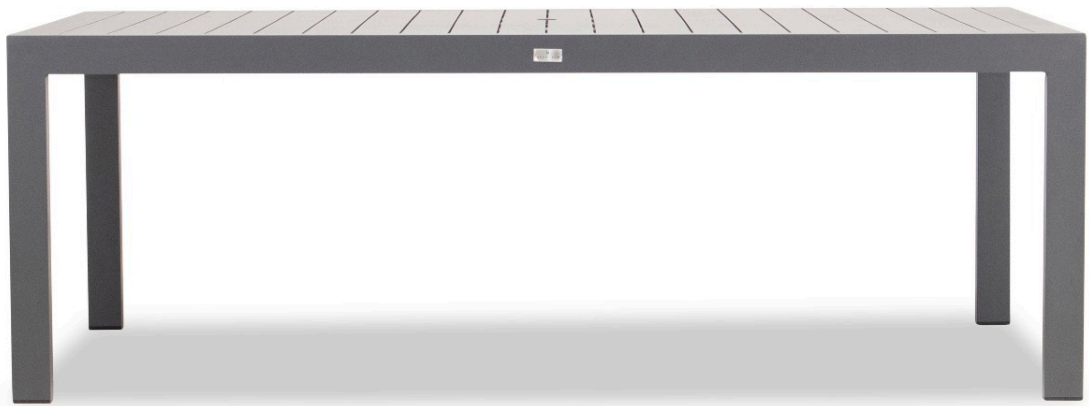


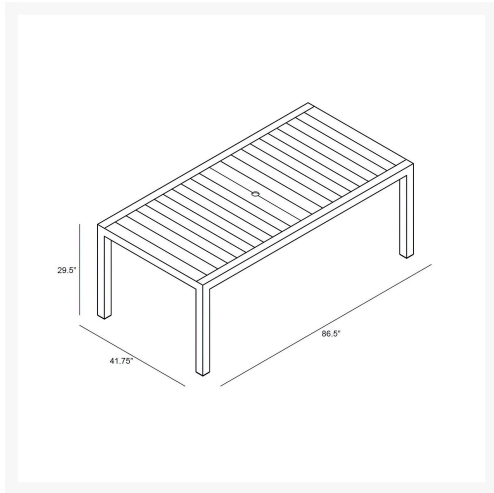


HARMONIA
LIVING

Classic Aluminum 86" Rectangular Dining Table - Slate CSAL-SL-8RCDT

Product Images





Description

The Harmonia Living Classic Aluminum Collection evokes the beautiful horizontal simplicity of modern architectural lines. A design-forward combination of the sleek aluminum frame with a slat-style table top provides the perfect complement to any outdoor setting, from beach-side deck to urban rooftop. Scaled for versatility without sacrificing comfort, Classic Aluminum will make a statement in any size outdoor living space.

Includes

- 1x Classic Aluminum 8-Seater Rectangular Dining Table - Slate CSAL-SL-8RCDT

Dimensions

- Classic Aluminum 8-Seater Rectangular Dining Table : 86.5L x 41.75W x 29.5H (80 lbs.)
 - Frame Height: 29.5

Features

- Durable, rust proof frames made from thick gauge aluminum with a high-quality powder coated finish that is appropriate for residential and commercial settings.
- Plastic foot glides help to protect your patio from scratching and also to help keep the furniture protected from dirt or water that can accumulate on the patio.
- Pre-cut umbrella hole fits umbrellas with a pole diameter up to 1.5" and includes a matching umbrella hole cover.