

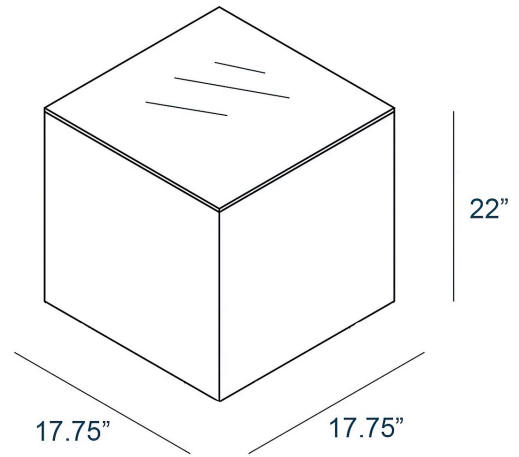


HARMONIA
LIVING

Mason End Table - Onyx MAS-OX-ET-SQ

Product Images





Description

The Mason Collection recreates the look of concrete and stone with the help of modern materials to create a truly unique set of tables. Its timeless appeal complements a wide range of seating styles and offers a natural accent to living spaces - both indoors and outdoors. Crafted with glass fiber reinforced concrete (GFRC) each table offers the durability of concrete and stone while being significantly lighter. The hand applied water-based finish helps protect the surface from scratches and stains. The Harmonia Living Mason Collection can be tailored to both Residential and Commercial settings and is committed to delivering exceptional furnishings to your outdoor space.

Includes

- 1x Mason End Table - Onyx (MAS-OX-ET-SQ)

Dimensions

- Mason End Table: 17.75"L x 17.75"W x 22"H (40 lbs.)
- Frame Height: 22"

Features

- Glass fiber reinforced concrete with water-based finish.
- Engineered to be lighter than concrete, but with the same durability.
- Designed for both indoor and outdoor use.
- Made for both indoor and outdoor use.