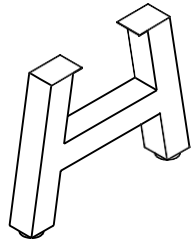
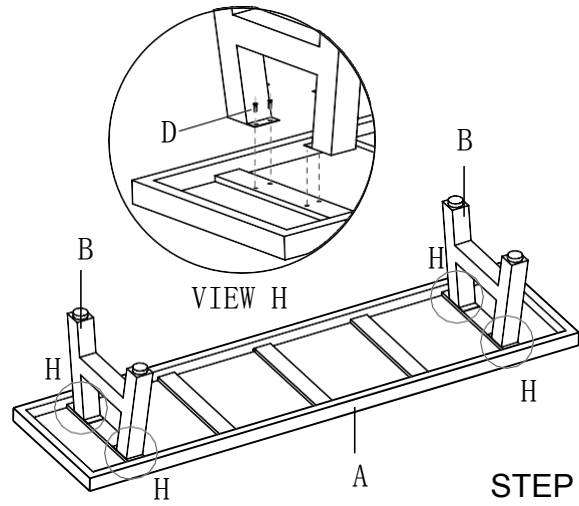


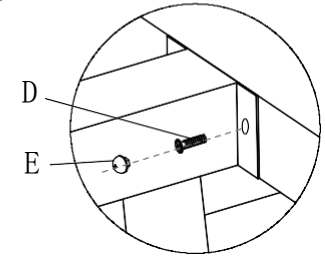
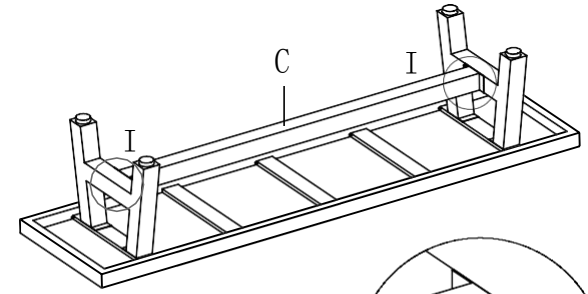
A x 1



B x 2

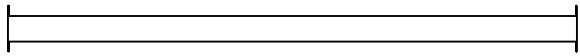


STEP 1

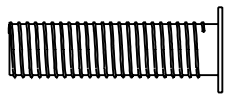
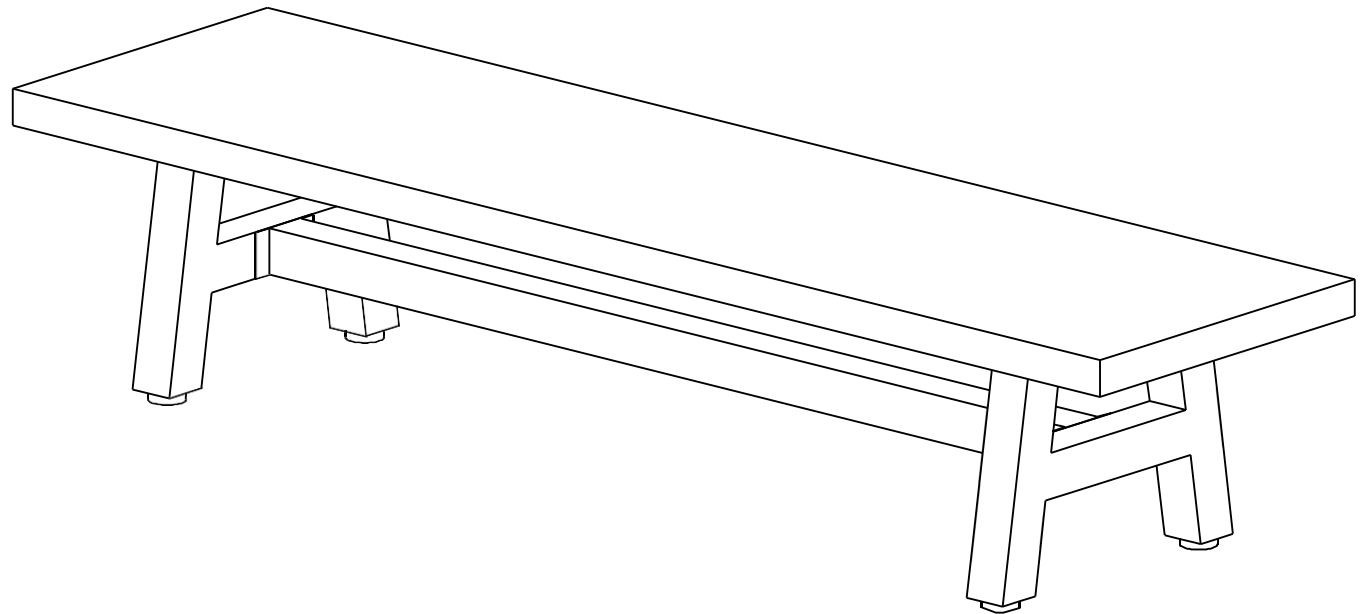


VIEW I

STEP 2



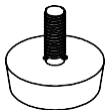
C x 1



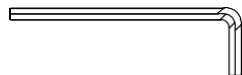
D x 12



E x 4

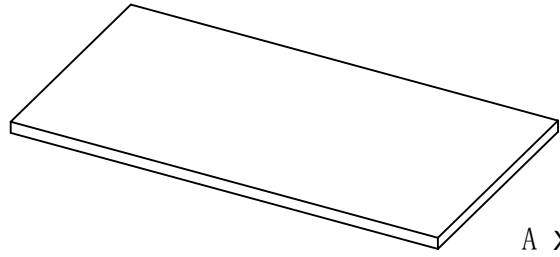


F x 4

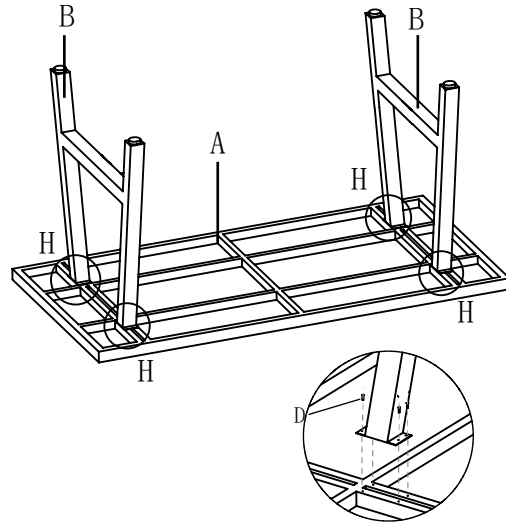


G x 1

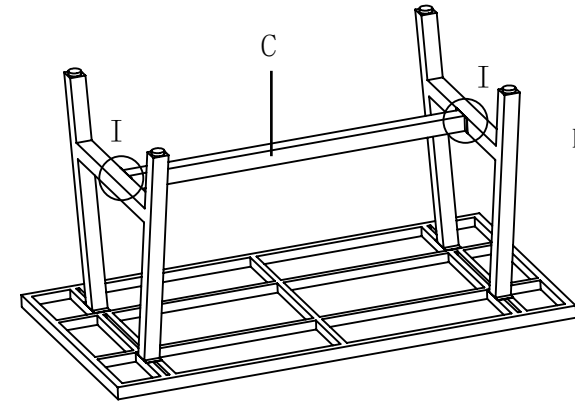
FINISHING



A x 1

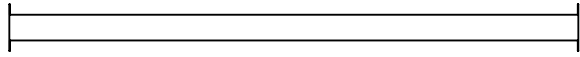


VIEW H STEP 1

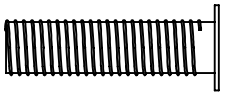


VIEW I

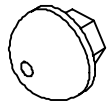
STEP 2



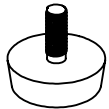
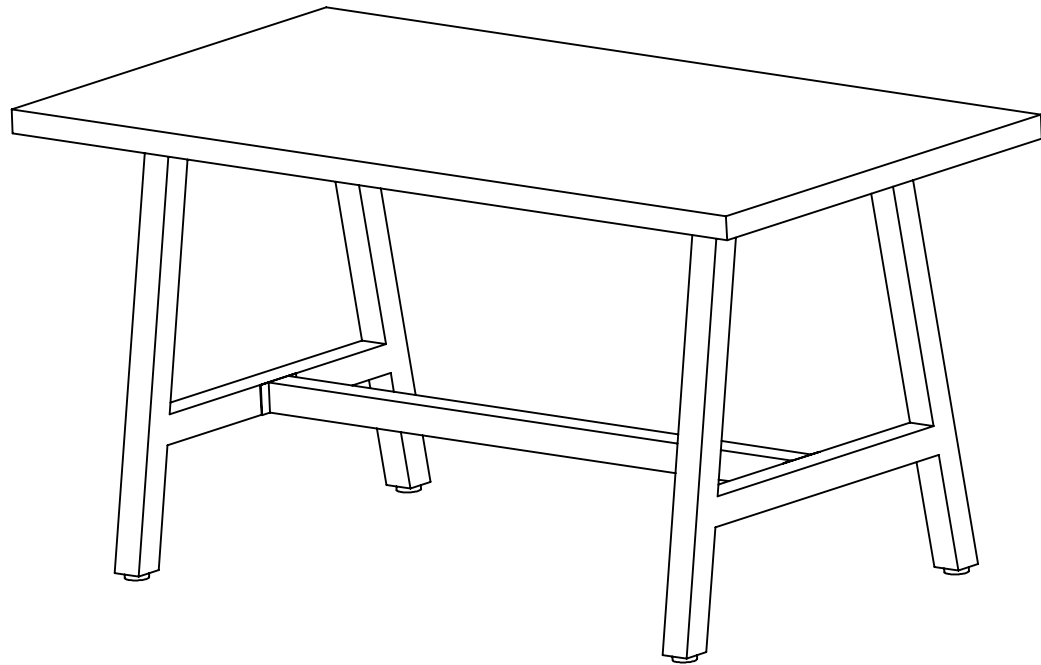
C x 1



D x 24



E x 8



F x 4



G x 1

FINISHING